



US007951632B1

(12) **United States Patent**
Quick et al.

(10) **Patent No.:** **US 7,951,632 B1**
(45) **Date of Patent:** **May 31, 2011**

(54) **OPTICAL DEVICE AND METHOD OF MAKING**

(75) Inventors: **Nathaniel R. Quick**, Lake Mary, FL (US); **Aravinda Kar**, Oviedo, FL (US); **Islam A. Salama**, Chandler, AZ (US)

(73) Assignee: **University of Central Florida**, Orlando, FL (US), part interest

(*) Notice: Subject to any disclaimer, the term of this patent is extended or adjusted under 35 U.S.C. 154(b) by 378 days.

- 3,943,324 A 3/1976 Haggerty
- 3,944,640 A 3/1976 Haggerty et al.
- 3,945,318 A 3/1976 Landsman
- 3,965,328 A 6/1976 Locke
- 3,981,705 A 9/1976 Jaeger et al.
- 4,043,170 A 8/1977 Erodi et al.
- 4,135,902 A 1/1979 Oehrle
- 4,142,088 A 2/1979 Hirsch
- 4,159,414 A 6/1979 Suh et al.
- 4,215,263 A 7/1980 Grey et al.
- 4,309,224 A 1/1982 Shibata
- 4,339,285 A 7/1982 Pankove
- 4,372,989 A 2/1983 Menzel

(Continued)

(21) Appl. No.: **11/340,883**

(22) Filed: **Jan. 26, 2006**

Related U.S. Application Data

(60) Provisional application No. 60/647,678, filed on Jan. 26, 2005.

(51) **Int. Cl.**
H01L 21/268 (2006.01)

(52) **U.S. Cl.** **438/46**; 438/93; 438/796; 374/161; 257/E21.065

(58) **Field of Classification Search** 438/46, 438/93, 796, FOR. 156, FOR. 157; 257/432, 257/E31.046, E33.068, E33.073, E21.065; 374/161

See application file for complete search history.

(56) **References Cited**

U.S. PATENT DOCUMENTS

- 3,214,315 A 10/1965 Hildebrand
- 3,396,401 A 8/1968 Nonomura
- 3,419,321 A 12/1968 Barber et al.
- 3,605,469 A 9/1971 Queralto
- 3,788,120 A 1/1974 Takeo et al.
- 3,854,123 A 12/1974 Banach
- 3,865,564 A 2/1975 Jaeger et al.
- 3,874,240 A 4/1975 Rembaum

OTHER PUBLICATIONS

Sugioka, Koji, et al., "Direct Formatio of Three-Dimensional Structures in GaAs by Excimer Laser Doping", Jap. Journal of Appl. Phys., vol. 28, No. 10, Oct. 1989, pp. 2162-2166.*

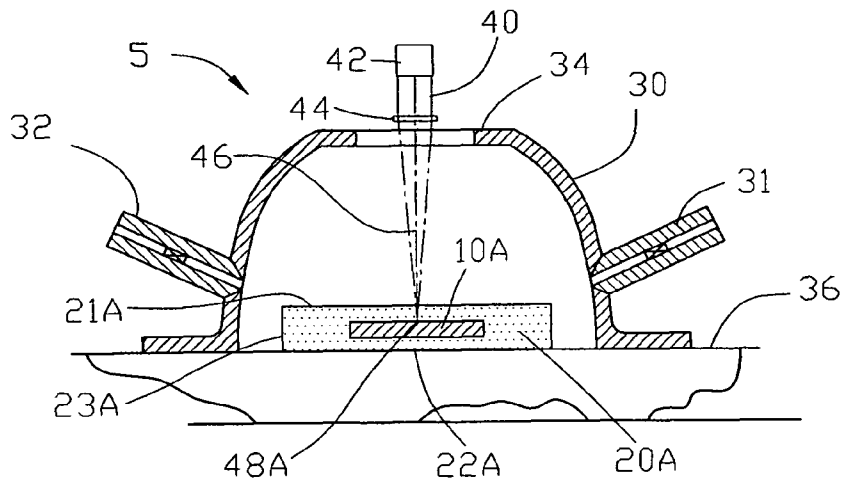
(Continued)

Primary Examiner — George Fourson
(74) *Attorney, Agent, or Firm* — Frijouf, Rust & Pyle P.A.

(57) **ABSTRACT**

An optical device and method is disclosed for forming the optical device within the wide-bandgap semiconductor substrate. The optical device is formed by directing a thermal energy beam onto a selected portion of the wide-bandgap semiconductor substrate for changing an optical property of the selected portion to form the optical device in the wide-bandgap semiconductor substrate. The thermal energy beam defines the optical and physical properties of the optical device. The optical device may take the form of an electro-optical device with the addition of electrodes located on the wide-bandgap semiconductor substrate in proximity to the optical device for changing the optical property of the optical device upon a change of a voltage applied to the optional electrodes. The invention is also incorporated into a method of using the optical device for remotely sensing temperature, pressure and/or chemical composition.

11 Claims, 17 Drawing Sheets



U.S. PATENT DOCUMENTS

4,383,843 A	5/1983	Iyengar		5,680,200 A	10/1997	Sugaya et al.	
4,496,607 A	1/1985	Mathias		5,695,828 A	12/1997	Ghosh et al.	
4,539,251 A	9/1985	Sugisawa et al.		5,733,609 A	3/1998	Wang	
4,547,650 A	10/1985	Arditty et al.		5,754,299 A	5/1998	Sugaya et al.	
4,565,712 A	1/1986	Noguchi et al.		5,793,042 A	8/1998	Quick	
4,620,264 A	10/1986	Ushifusa et al.		5,823,039 A	10/1998	Umeda et al.	
4,624,934 A	11/1986	Kokubu et al.		5,837,607 A	11/1998	Quick	
4,663,826 A	5/1987	Bauerle		5,847,418 A	12/1998	Nakamura et al.	
4,671,651 A *	6/1987	Toyoda et al.	356/44	RE36,050 E *	1/1999	Thakur et al.	374/161
4,691,091 A	9/1987	Lyons et al.		5,889,234 A	3/1999	Ghosh et al.	
4,710,253 A	12/1987	Soszek		5,906,708 A	5/1999	Robinson et al.	
4,761,339 A	8/1988	Komatsu et al.		5,961,877 A	10/1999	Robinson et al.	
4,791,239 A	12/1988	Sirahata et al.		6,025,609 A	2/2000	Quick	
4,840,853 A	6/1989	Lio et al.		6,054,375 A *	4/2000	Quick	438/535
4,841,150 A *	6/1989	Walter	250/339.04	6,064,081 A	5/2000	Robinson et al.	
4,847,138 A	7/1989	Boylan et al.		6,203,861 B1	3/2001	Kar et al.	
4,860,442 A	8/1989	Ainsworth et al.		6,221,154 B1	4/2001	Lee et al.	
4,872,923 A	10/1989	Borodin		6,252,197 B1	6/2001	Hoekstra et al.	
4,880,770 A	11/1989	Mir et al.		6,255,671 B1	7/2001	Bojarczuk et al.	
4,901,550 A	2/1990	Koide et al.		6,271,576 B1 *	8/2001	Quick	257/588
4,912,087 A	3/1990	Aslam et al.		6,274,234 B1	8/2001	Dujardin et al.	
4,924,033 A	5/1990	Iyogi et al.		6,313,015 B1	11/2001	Lee et al.	
4,950,558 A	8/1990	Sarin		6,334,939 B1	1/2002	Zhou et al.	
4,962,085 A	10/1990	deBarbadillo, II et al.		6,407,443 B2	6/2002	Chen et al.	
4,988,564 A	1/1991	D'Angelo et al.		6,526,327 B2	2/2003	Kar et al.	
5,015,618 A	5/1991	Levinson		6,621,448 B1	9/2003	Lasky et al.	
5,055,967 A	10/1991	Sukonnik et al.		6,627,964 B2 *	9/2003	Nakashima et al.	257/414
5,127,364 A	7/1992	Savkar et al.		6,670,693 B1	12/2003	Quick	
5,145,741 A	9/1992	Quick		6,732,562 B2	5/2004	Quick et al.	
5,149,681 A	9/1992	Ohkawa et al.		6,930,009 B1	8/2005	Quick	
5,180,440 A	1/1993	Siegel et al.		6,939,748 B1	9/2005	Quick	
5,231,297 A *	7/1993	Nakayama et al.	257/77	2001/0027001 A1 *	10/2001	Yoshida et al.	438/535
5,336,360 A	8/1994	Nordine		2001/0032493 A1 *	10/2001	Samman et al.	73/31.06
5,391,841 A	2/1995	Quick		2002/0020853 A1 *	2/2002	Nakashima et al.	257/199
5,405,481 A	4/1995	Licoppe et al.		2002/0121642 A1 *	9/2002	Doverspike et al.	257/97
5,425,860 A *	6/1995	Truher et al.	204/192.23	2002/0145145 A1 *	10/2002	Nakashima et al.	257/77
5,459,098 A	10/1995	Maya					
5,493,096 A	2/1996	Koh					
5,549,971 A	8/1996	Nordine					
5,629,532 A	5/1997	Myrick					
5,656,511 A *	8/1997	Shindo	438/160				

OTHER PUBLICATIONS

Wieder, H., "Novel Method for Measuring Transient Surface Temperatures with High Spatial and Temporal Resolution", J. Appl. Phys., vol. 43, No. 7, Jul. 1972, pp. 3213-3214.*

* cited by examiner

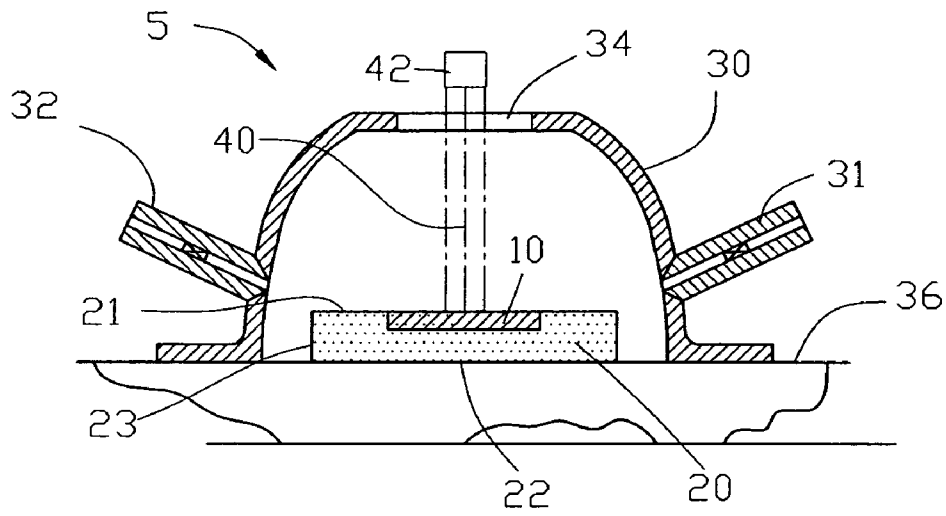


FIG. 1

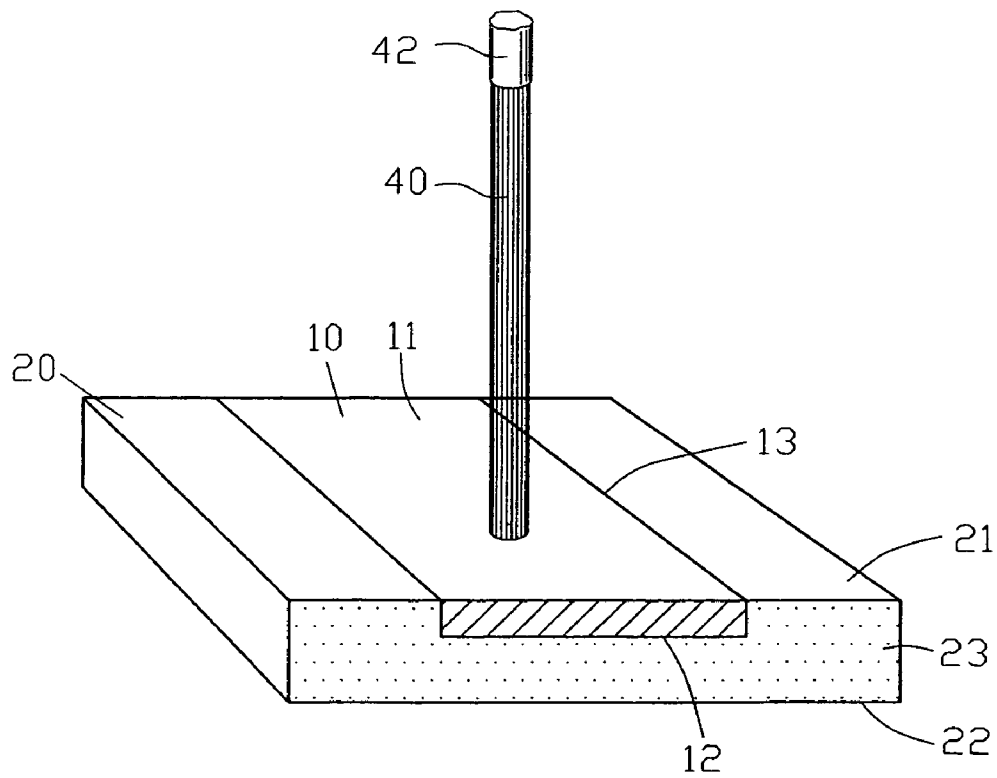


FIG. 2

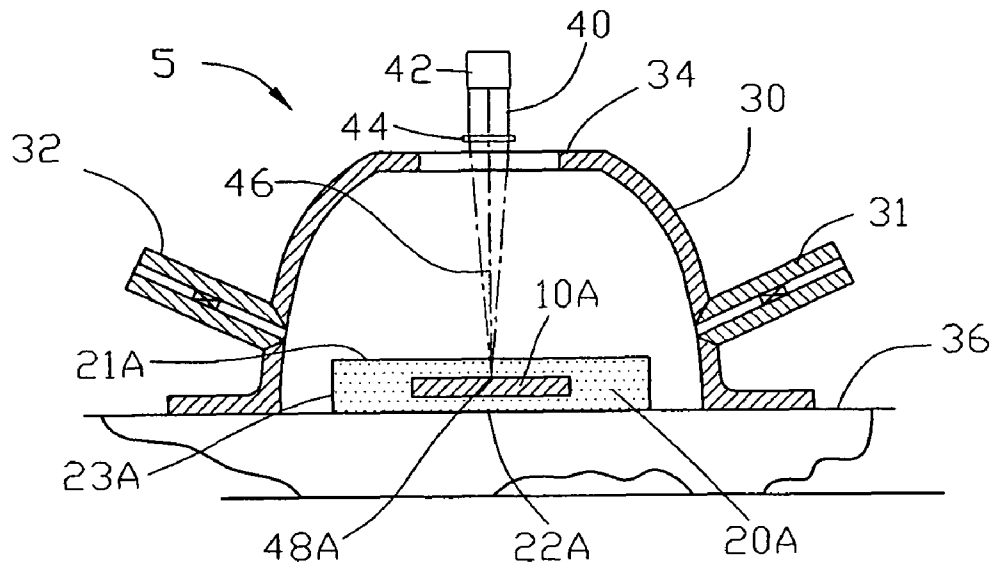


FIG. 3

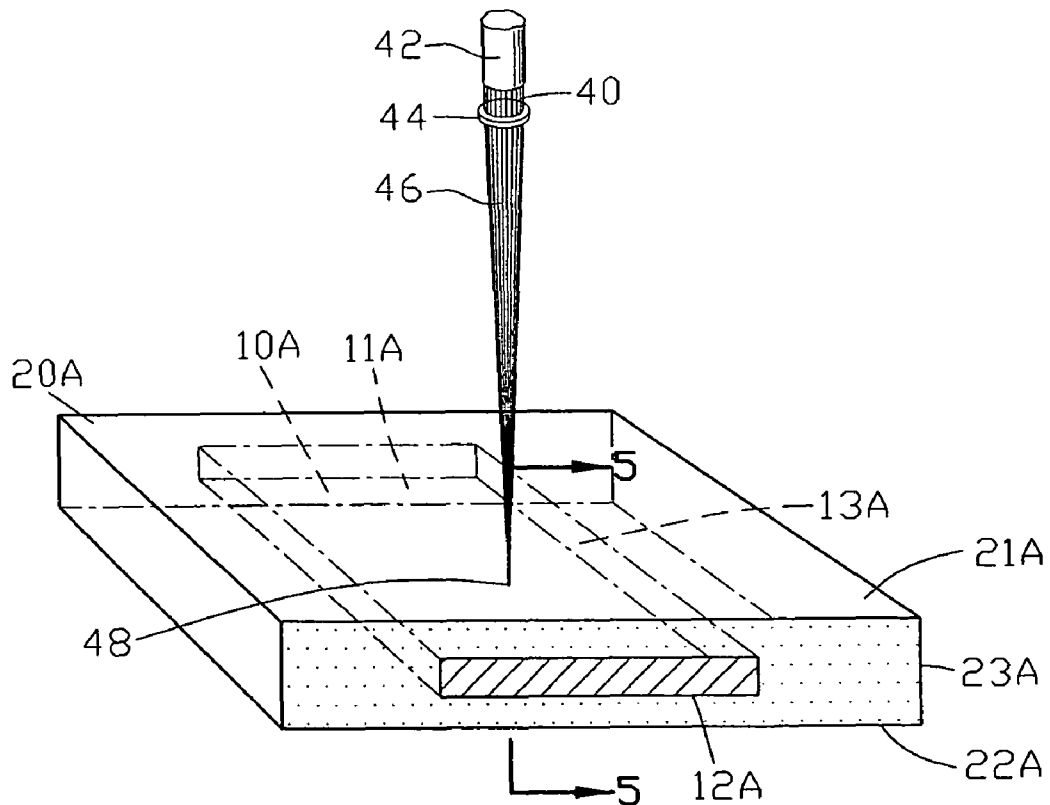


FIG. 4

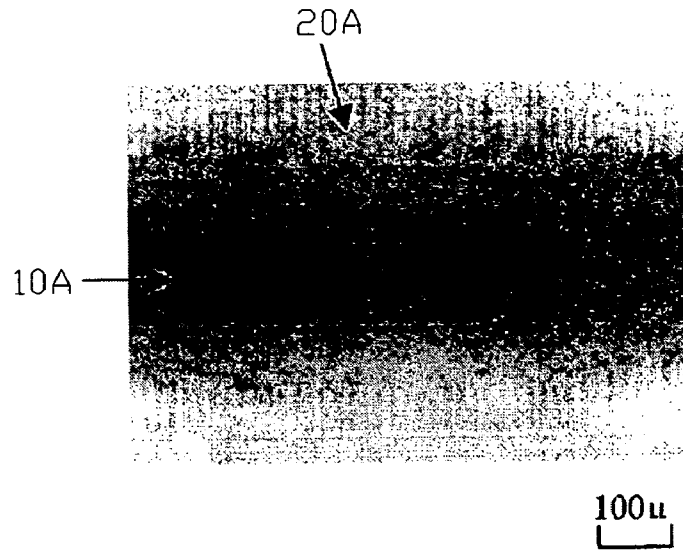


FIG. 5

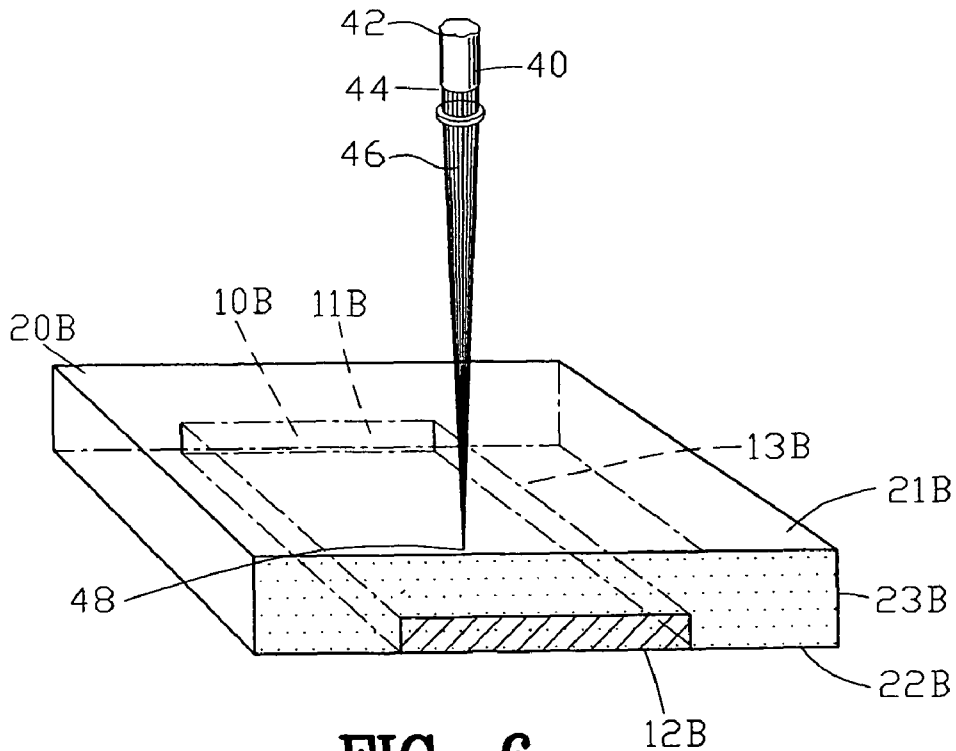


FIG. 6

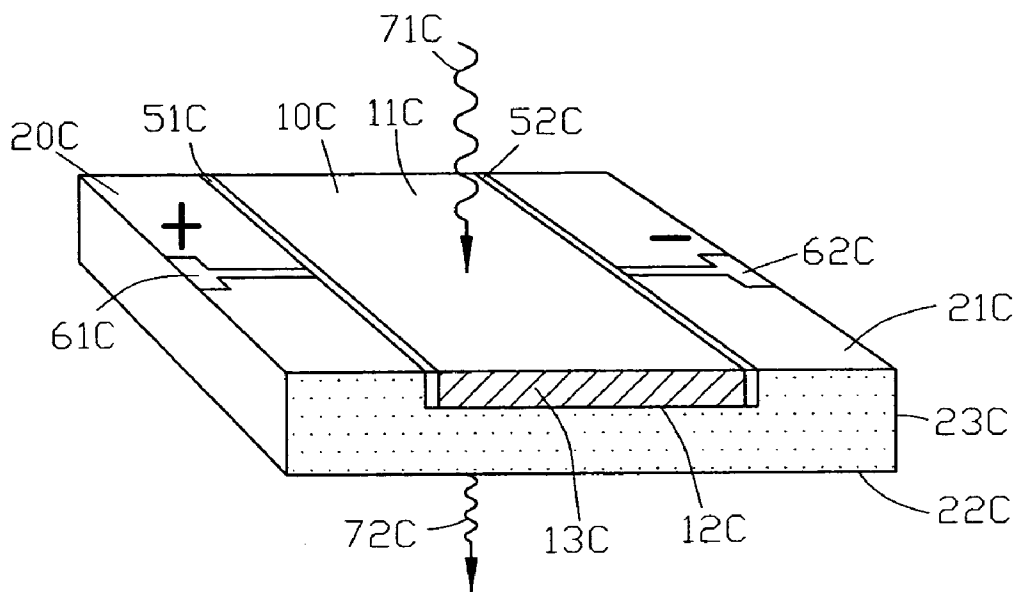


FIG. 7

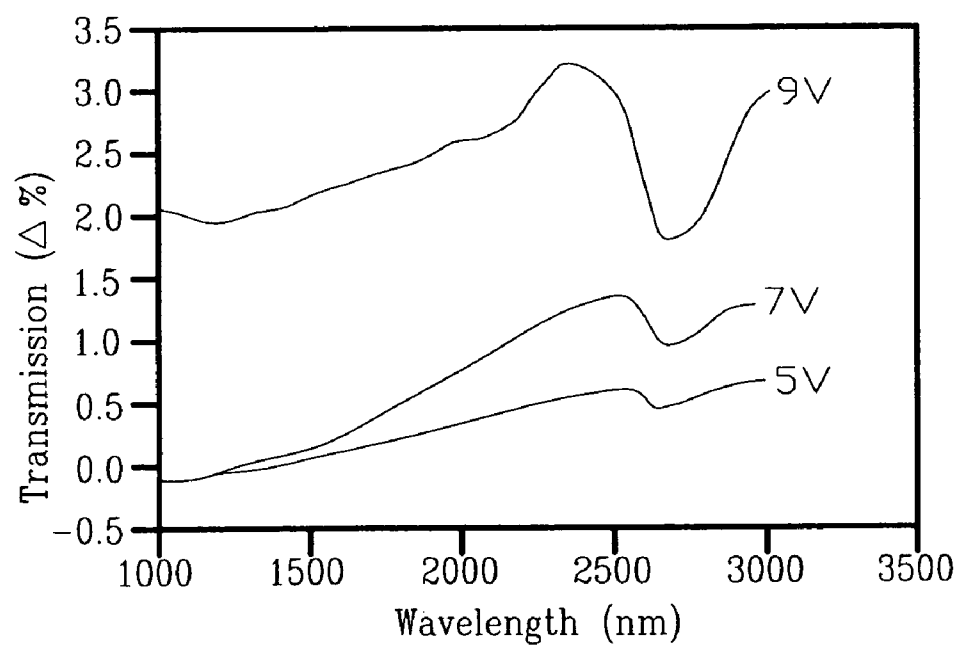


FIG. 8

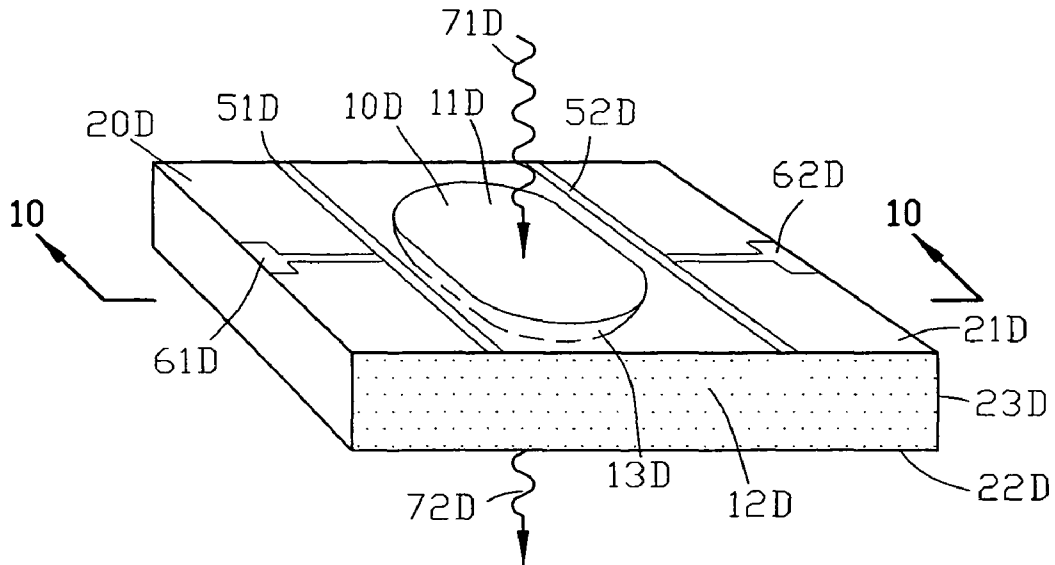


FIG. 9

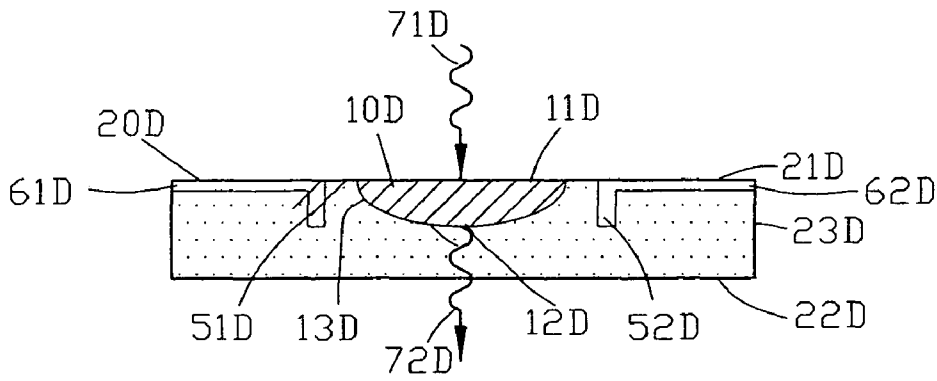


FIG. 10

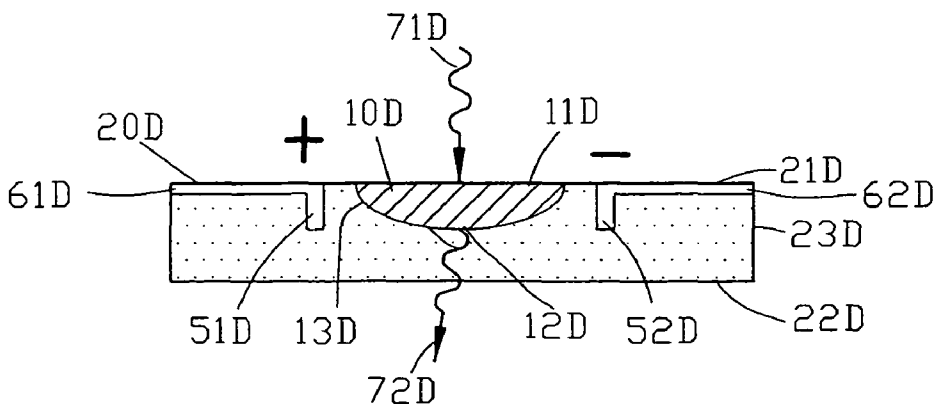
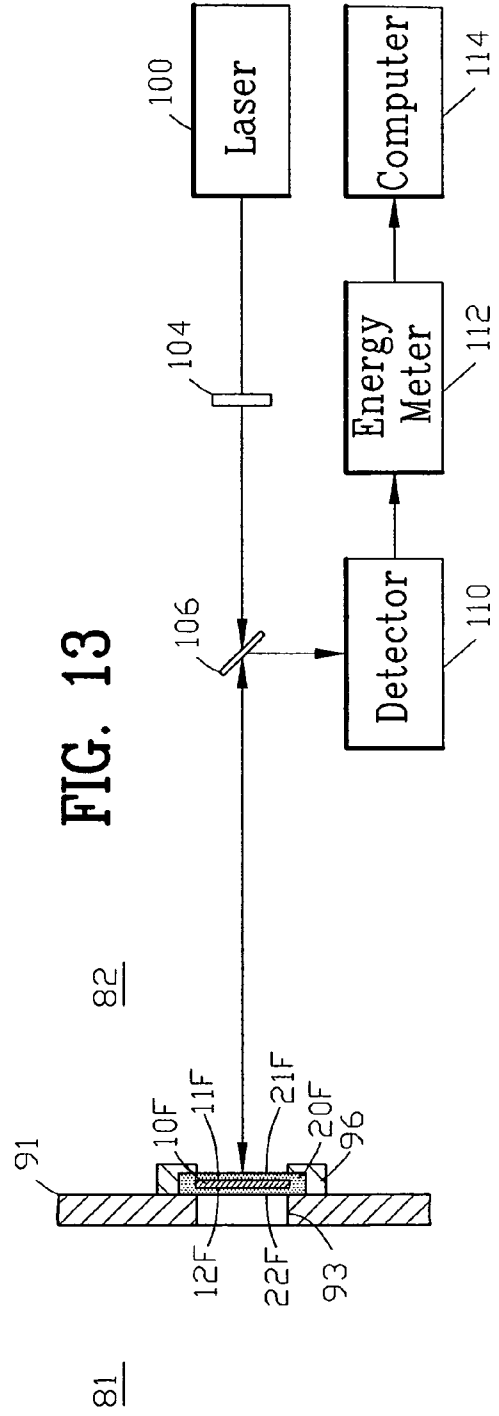
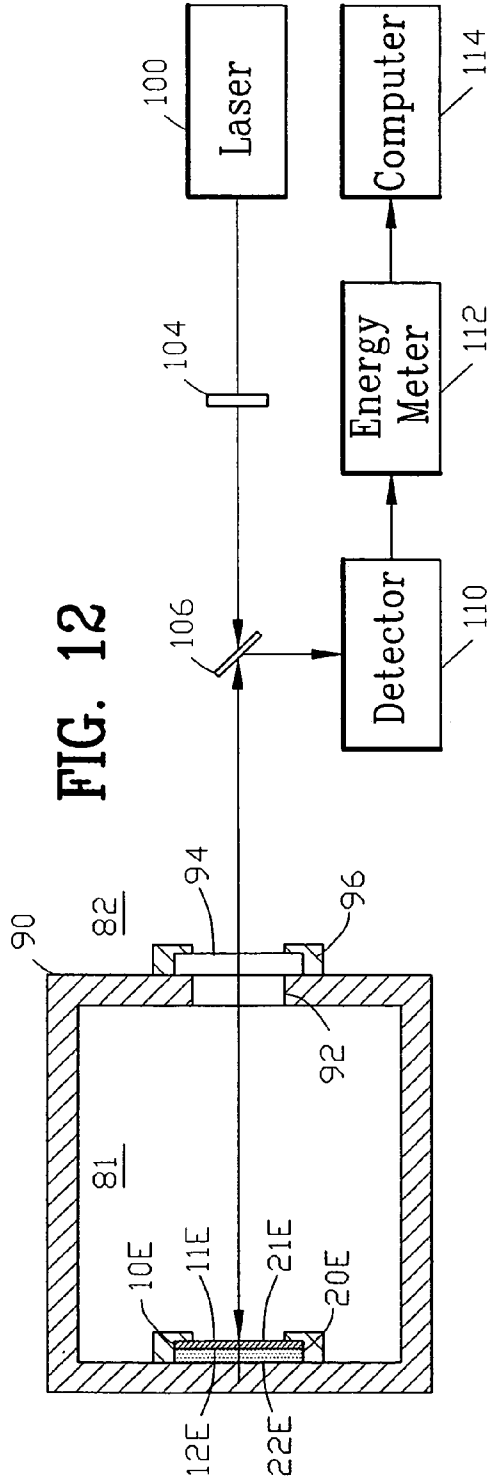


FIG. 11



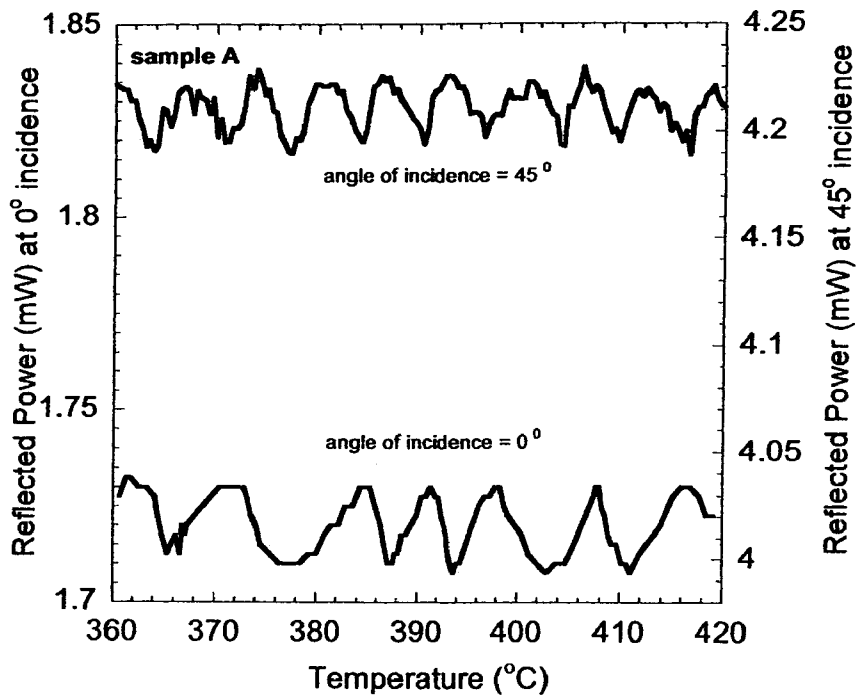


FIG. 14

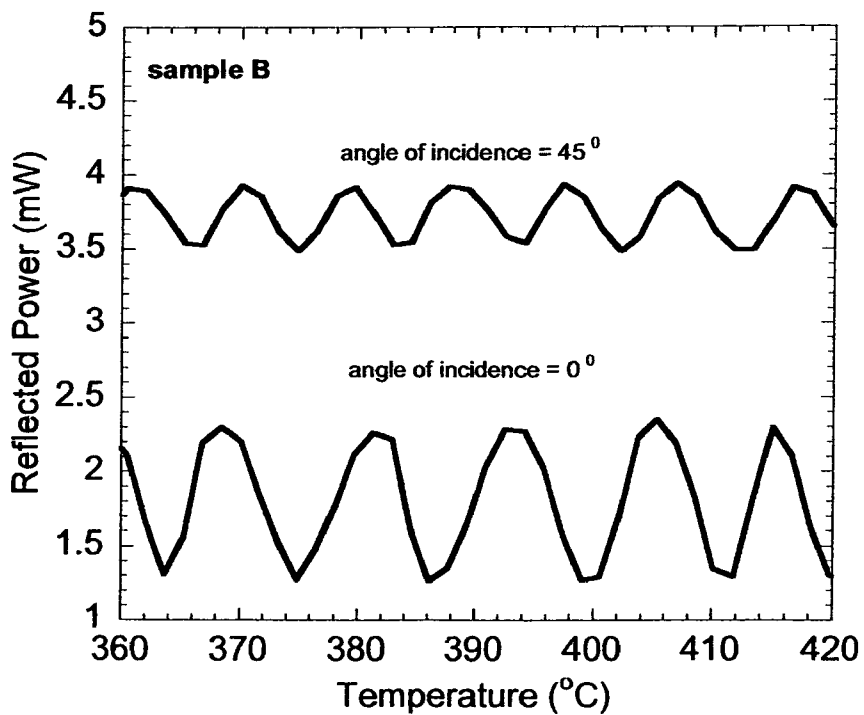


FIG. 15

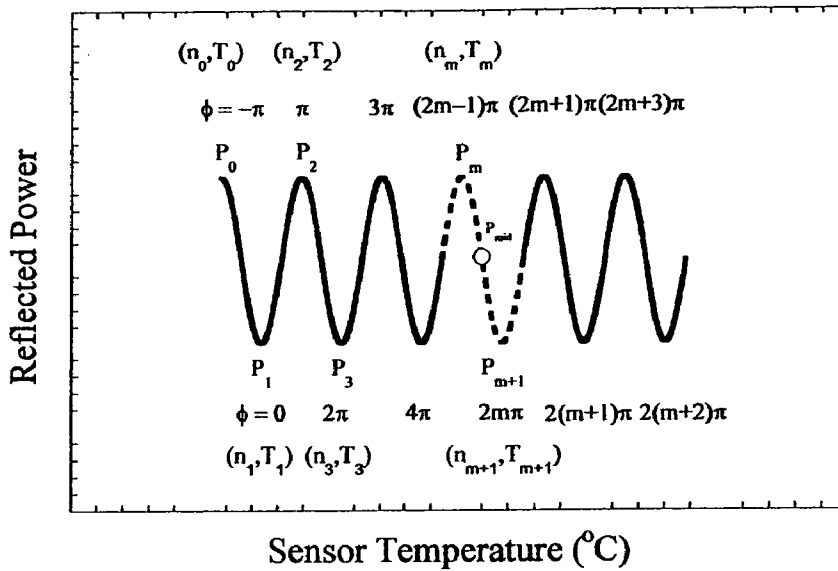


FIG. 16

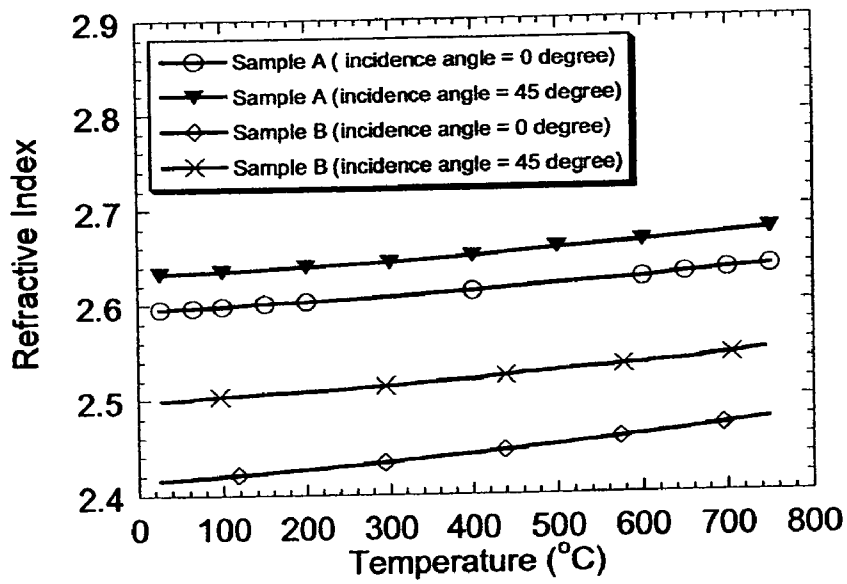


FIG. 17

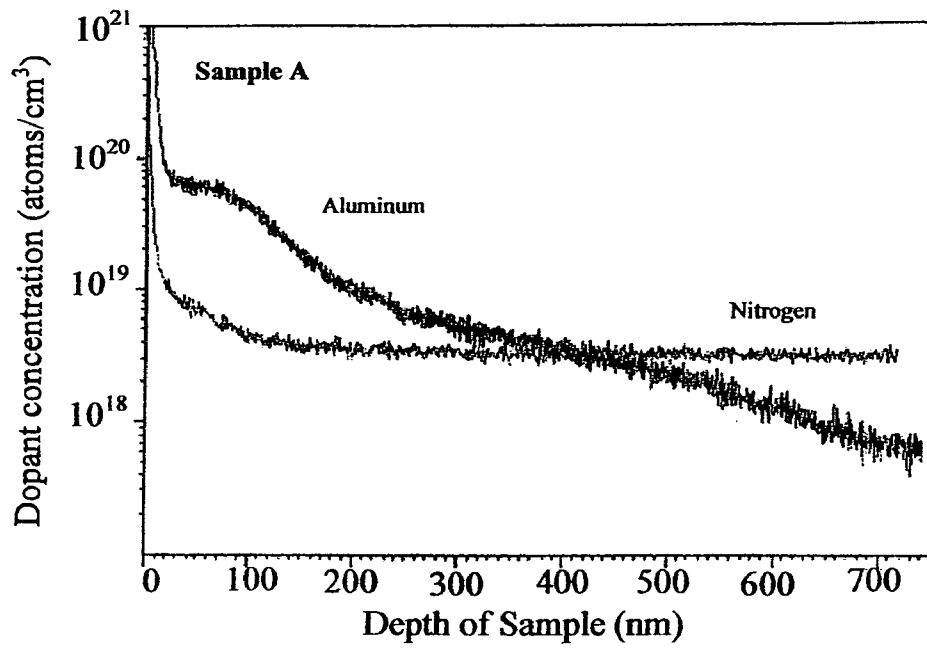


FIG. 18

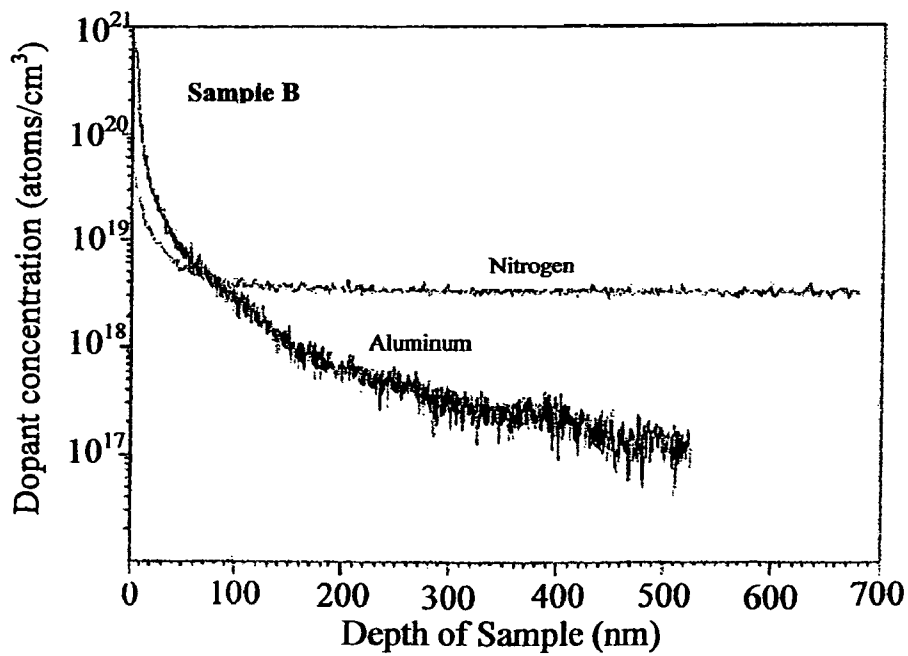


FIG. 19

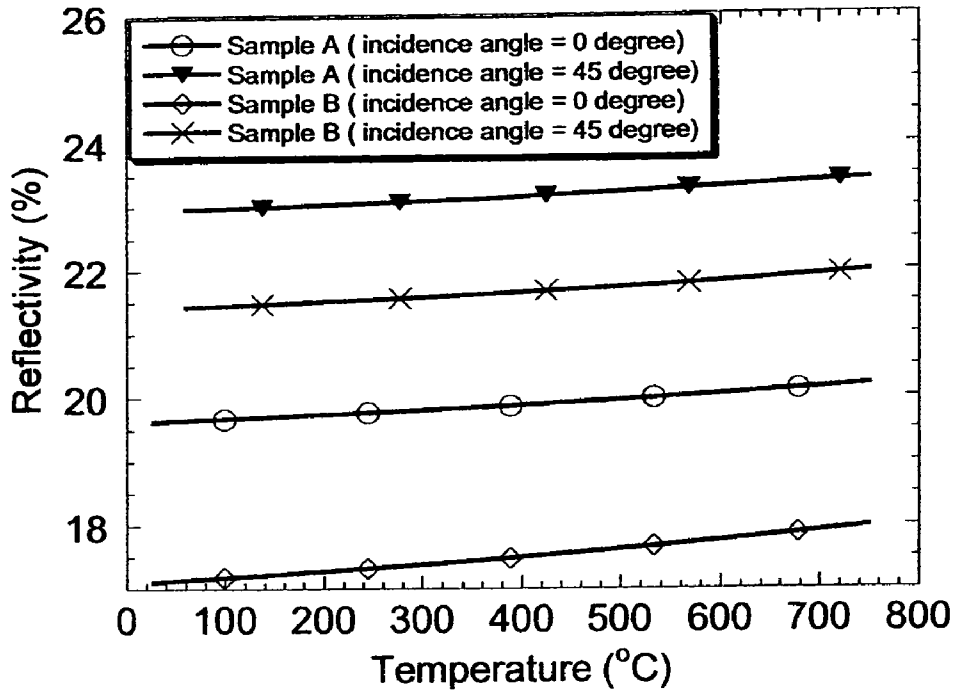


FIG. 20

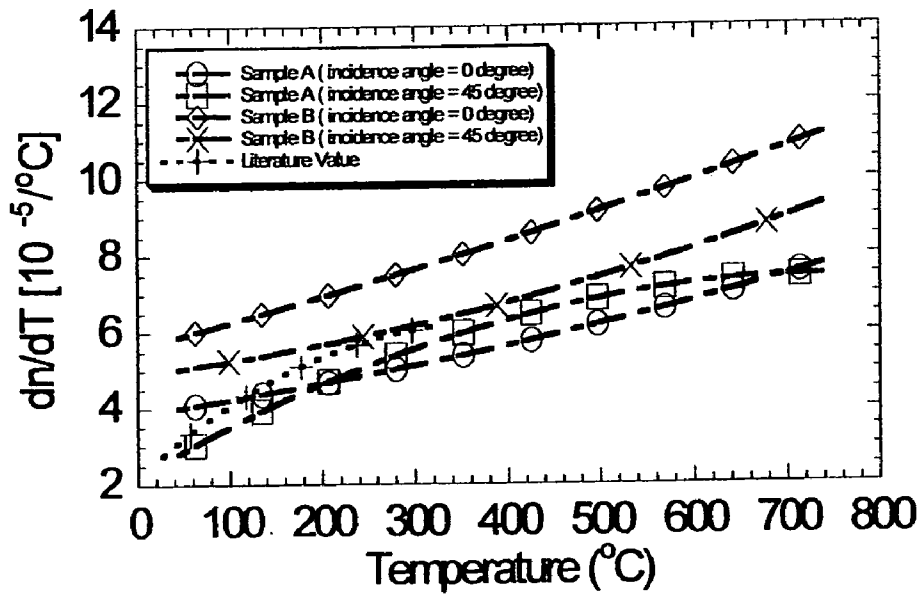


FIG. 21

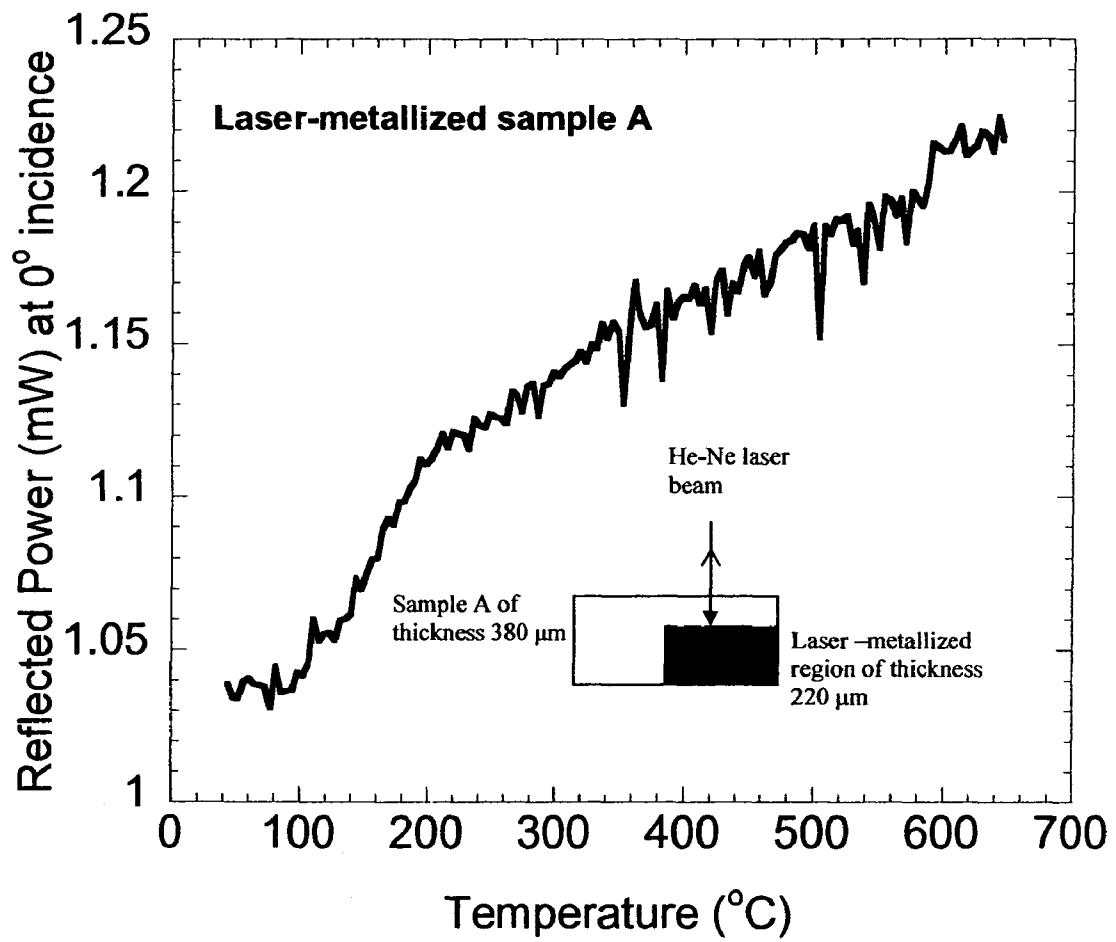


FIG. 22

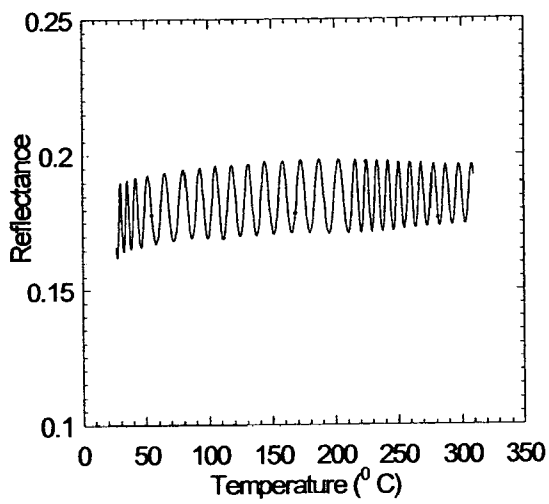


FIG. 23A

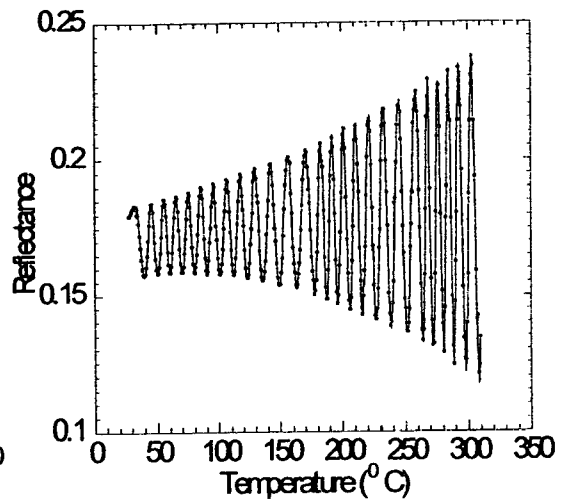


FIG. 23B

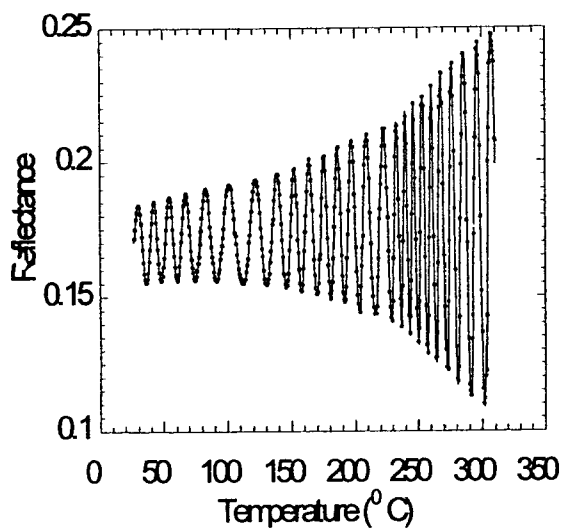


FIG. 23C

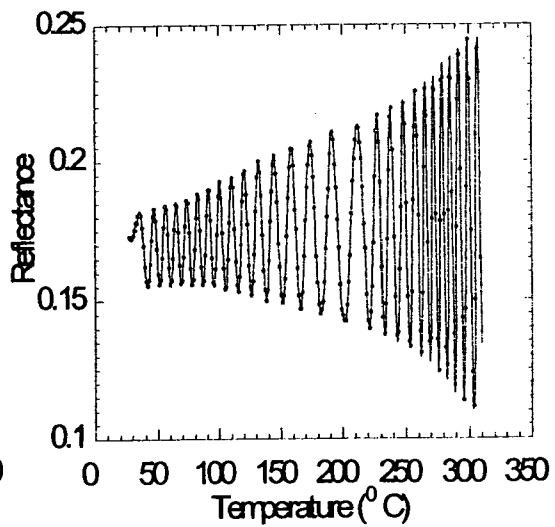


FIG. 23D

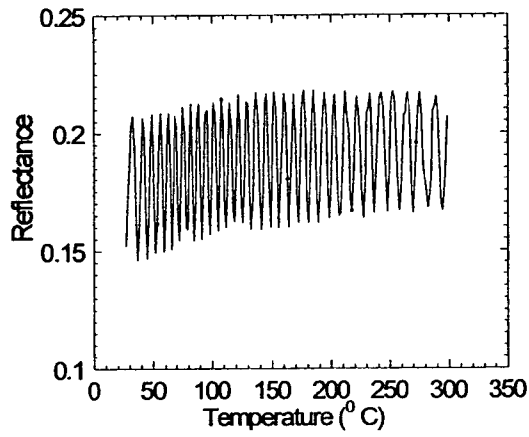


FIG. 24A

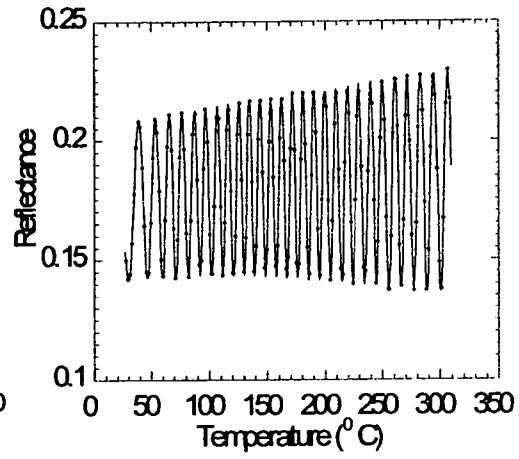


FIG. 24B

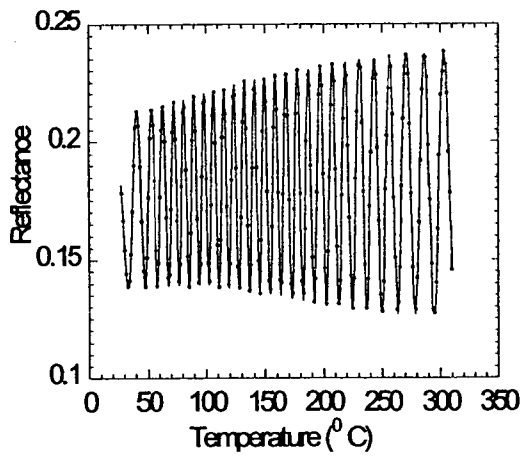


FIG. 24C

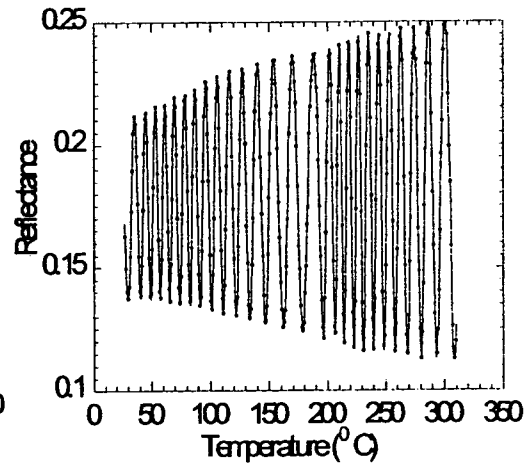


FIG. 24D

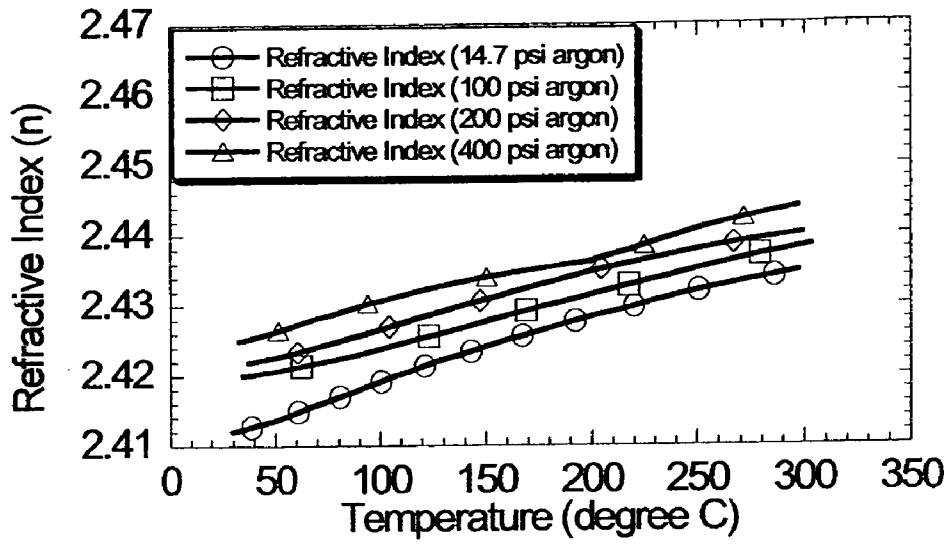


FIG. 25

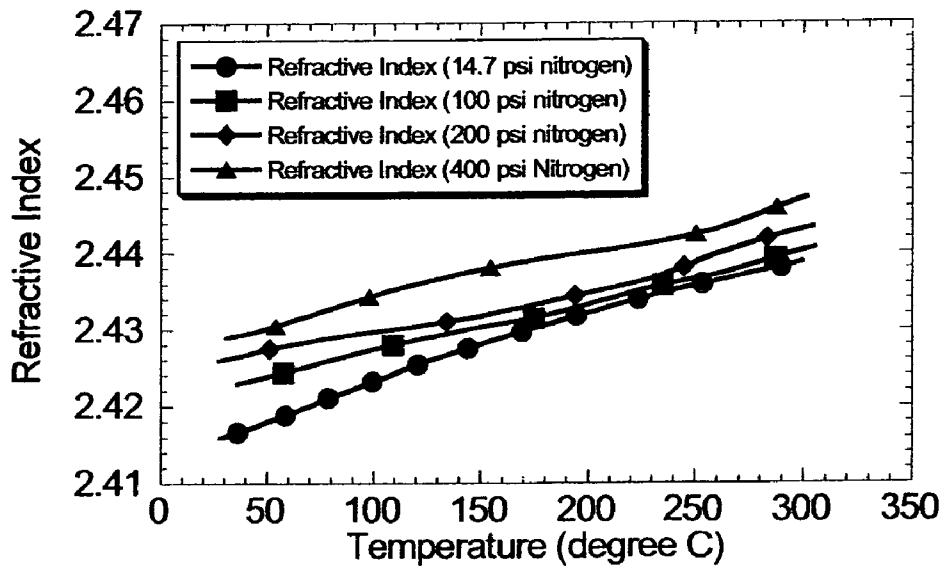


FIG. 26

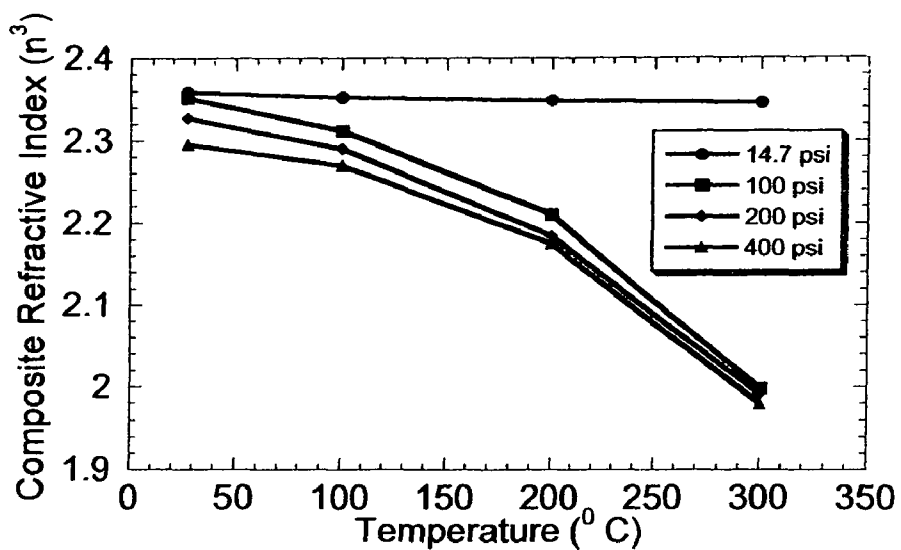


FIG. 27

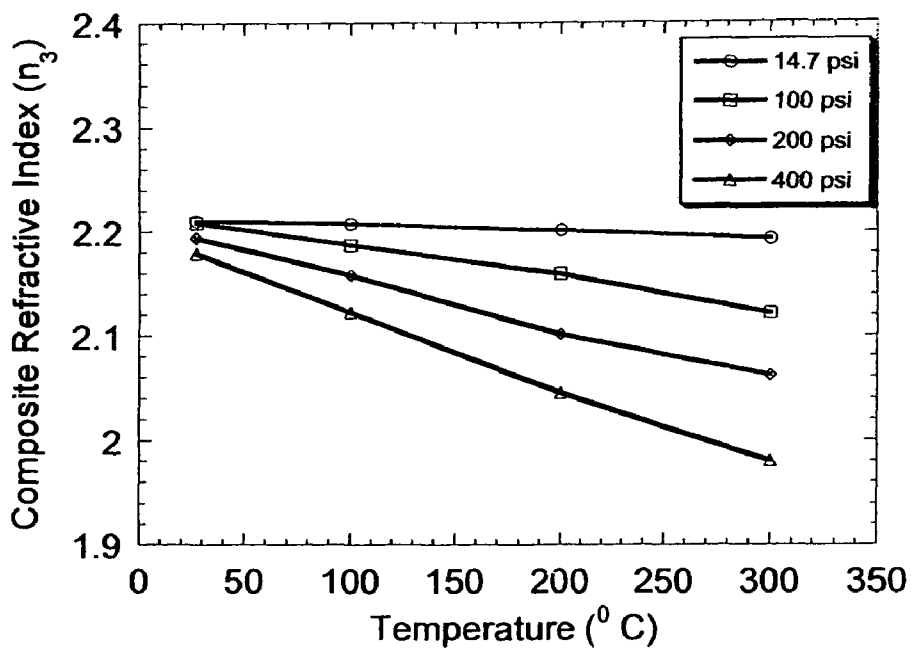


FIG. 28

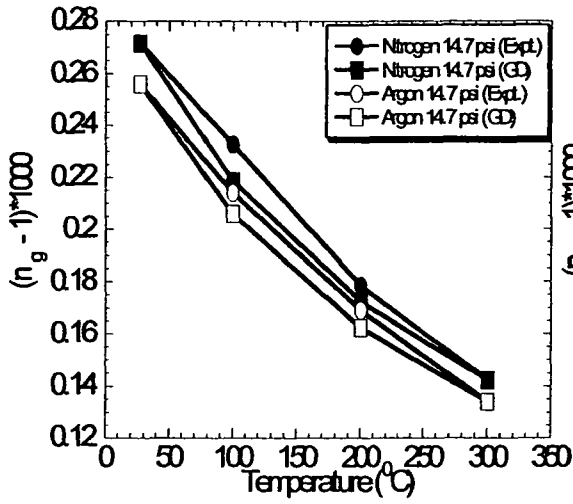


FIG. 29A

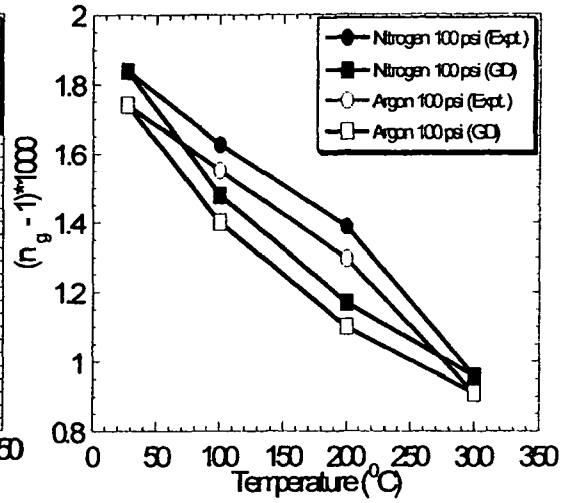


FIG. 29B

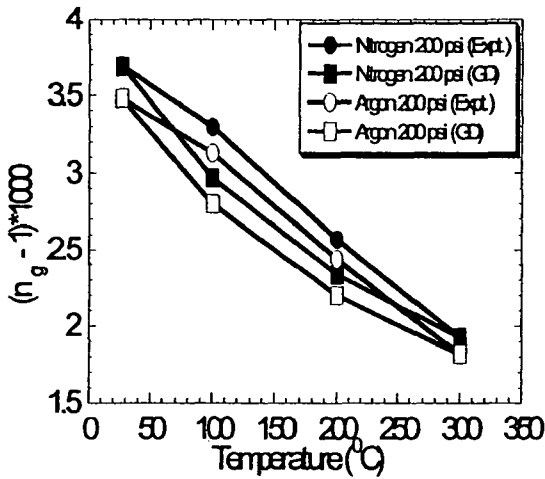


FIG. 29C

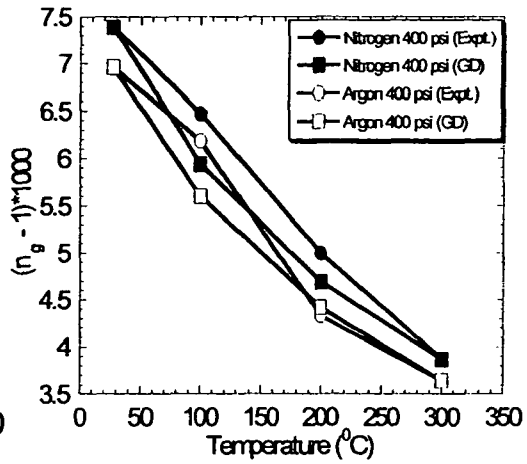


FIG. 29D

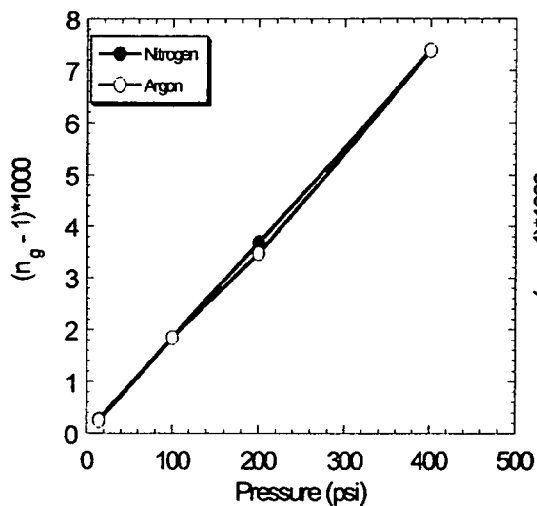


FIG. 30A

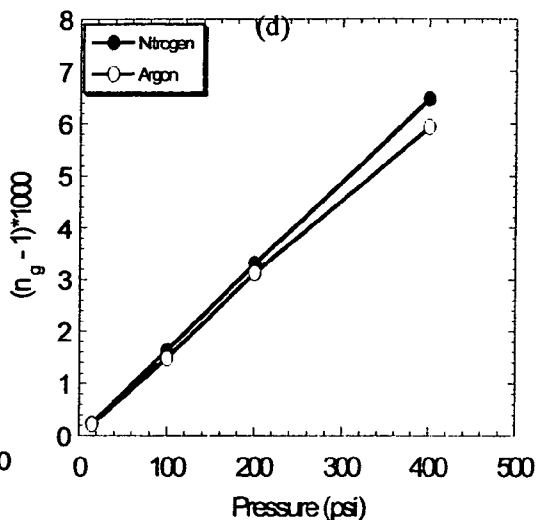


FIG. 30B

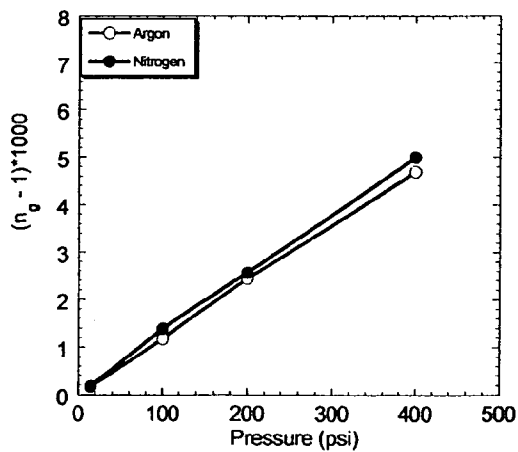


FIG. 30C

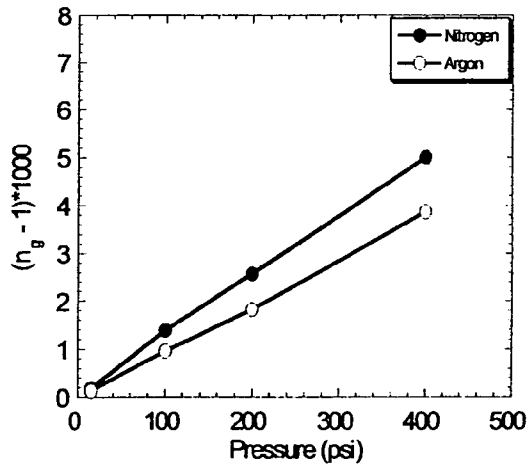


FIG. 30D

OPTICAL DEVICE AND METHOD OF MAKING

CROSS-REFERENCE TO RELATED APPLICATIONS

This application claims benefit of U.S. provisional patent application Ser. No. 60/647,678 filed Jan. 26, 2005. All subject matter set forth in provisional patent application Ser. No. 60/647,678 is hereby incorporated by reference into the present application as if fully set forth herein.

BACKGROUND OF THE INVENTION

1. Field of the Invention

This invention relates to optical devices and more particularly to an improved apparatus and method for the fabrication of optical devices and electro-optical devices within a wide-bandgap semiconductor substrate by directing a thermal energy beam onto the wide-bandgap semiconductor substrate.

2. Description of the Related Art

Conventional semiconductors such as silicon have been used for various electrical, electronic and electro-optical devices. Conventional semiconductors are limited to operating temperatures below 250° C., due to the narrow band gap and poor thermal stability. There has been an increasing need to extend the limits of sensors for high temperature and harsh environments operations.

Wide-bandgap semiconductors have many advantages over conventional semiconductors such as silicon. One wide-bandgap semiconductor suitable for replacing conventional silicon-based devices is silicon carbide (SiC). The bandgap of 6H—SiC silicon carbide (SiC) is around 3 eV [2] which is about two times greater than the bandgap of silicon. Furthermore, silicon carbide (SiC) supports very high breakdown field, 3-5 MV/cm. The high sublimation temperature about 2700° C. and extremely low intrinsic carrier concentration allows silicon carbide (SiC) to operate at elevated temperatures. The dependence of intrinsic carrier concentration on temperature causes threshold voltage-shift and leakage current, resulting in device degradation and latchup phenomenon. The strong covalent bonds between Si and C yield high frequency lattice vibrations, generating high energy optical phonons (100-120 meV), that lead to a high saturation drift velocity (2×10^8 cm/s) and excellent thermal conductivity (490 W/m·K).

Silicon carbide (SiC) is the only wide bandgap semiconductor that has silicon dioxide as its native oxide analogous to silicon. Silicon carbide (SiC) is potentially superior to other compound semiconductors since silicon carbide (SiC), allows the creation of a metal oxide.

Silicon carbide (SiC) is a promising semiconductor material for optical devices, particularly mirrors and lenses because of its low thermal coefficient of expansion, hardness (and hence good polishability), high thermal conductivity ($350\text{-}490\text{ Wm}^{-1}\text{K}^{-1}$) and chemical stability in hostile environments.

Doping is a challenge for silicon carbide (SiC) due to the hardness, chemical inertness and the low diffusion coefficient of most impurities of silicon carbide (SiC). Current doping techniques for silicon carbide (SiC) device fabrication include epilayer doping and ion implantation.

Epilayer doping is introduced during chemical vapor deposition (CVD) epitaxial growth. Nitrogen (N) or phosphorous (P) are used as a doping material for n-type silicon carbide (SiC) whereas aluminum (Al) and boron (B) are used as a

doping material for p-type silicon carbide (SiC). Vanadium (V) is used as a doping material for semi-insulating silicon carbide (SiC).

Ion implantation is the most common doping technique used for silicon carbide (SiC). However, ion implantation generates implantation-induced defect centers in the silicon carbide (SiC) and therefore, high annealing temperatures are required to remove this damage and to electrically activate the dopants. Some defects remain in silicon carbide (SiC) for up to 1700° C. annealing temperatures. Annealing at these high temperatures can cause severe surface damage due to silicon (Si) sublimation and redistribution.

A laser conversion technology for wide bandgap semiconductors including silicon carbide (SiC) is disclosed in the prior inventions of Nathaniel R. Quick. Discussion of wide bandgap materials and the processing thereof are set forth in U.S. Pat. No. 5,145,741; U.S. Pat. No. 5,391,841; U.S. Pat. No. 5,793,042; U.S. Pat. No. 5,837,607; U.S. Pat. No. 6,025,609; U.S. Pat. No. 6,054,375; U.S. Pat. No. 6,271,576 and U.S. Pat. No. 6,670,693 are hereby incorporated by reference into the present application.

The above prior inventions of Nathaniel R. Quick disclose the fabrication of various electrical and electronic devices. The present invention expands the prior inventions of Nathaniel R. Quick by fabricating optical devices and electro-optical devices in a wide bandgap semiconductor through a laser conversion process.

Therefore, it is an object of the present invention to provide optical devices and electro-optical devices and a method of making through a laser conversion process of a wide bandgap semiconductor.

It is an object of the present invention to provide an optical device and method of making by directing a thermal energy beam onto a selected portion of the wide-bandgap semiconductor substrate for changing an optical property of the selected portion to form the optical device.

Another object of the present invention is to provide an optical device and method of making an optical device on the surface of a wide-bandgap semiconductor substrate or within a wide-bandgap semiconductor substrate.

Another object of the present invention is to provide an optical device and method of making an optical device for defining a shape of the optical device in the wide-bandgap semiconductor substrate.

Another object of the present invention is to provide an optical device and method of making an optical device including the formation of electrodes on a wide bandgap semiconductor adjacent to the optical device for forming an electro-optical device.

The foregoing has outlined some of the more pertinent objects of the present invention. These objects should be construed as being merely illustrative of some of the more prominent features and applications of the invention. Many other beneficial results can be obtained by modifying the invention within the scope of the invention. Accordingly other objects in a full understanding of the invention may be had by referring to the summary of the invention, the detailed description describing the preferred embodiment in addition to the scope of the invention defined by the claims taken in conjunction with the accompanying drawings.

SUMMARY OF THE INVENTION

The present invention is defined by the appended claims with specific embodiments being shown in the attached drawings. For the purpose of summarizing the invention, the invention relates to an improved optical device, comprising a wide-

bandgap semiconductor substrate having a first optical property. An optical device is defined within the wide-bandgap semiconductor substrate having a second optical property different from the first optical property.

In another embodiment of the invention, the invention is incorporated into an electro-optical device, comprising a wide-bandgap semiconductor substrate having a first optical property. An optical device is defined within the wide-bandgap semiconductor substrate having a second optical property. A first and a second electrode are located in proximity to the optical device for changing the second optical property upon a change of a voltage applied to the first and second electrodes.

The invention is also incorporated into the method for making an optical device within a wide-bandgap semiconductor substrate. The method comprises the steps of providing a wide-bandgap semiconductor substrate. A thermal energy beam is directed onto a selected portion of the wide-bandgap semiconductor substrate for changing an optical property of the selected portion to convert the selected portion of the wide-bandgap semiconductor substrate into the optical device.

The invention is also incorporated into the method for making an electro-optical device within a wide-bandgap semiconductor substrate. The method comprises the steps of providing a wide-bandgap semiconductor substrate. A first thermal energy beam is directed onto a first selected portion of the wide-bandgap semiconductor substrate for changing an optical property of the first selected portion to convert the first selected portion of the wide-bandgap semiconductor substrate into the optical device. A second thermal energy beam is directed onto a second selected portion of the wide-bandgap semiconductor substrate for changing an electrical property of the second selected portion to convert the second selected portion of the wide-bandgap semiconductor substrate into the electrical device.

The invention is also incorporated into the method of measuring a temperature of a remote location. The method of measuring temperature comprises providing a wideband gap semiconductor sensor having an optical property that varies with temperature. The wideband gap semiconductor sensor is positioned in the remote location. The wideband gap semiconductor sensor is irradiated with an interrogating laser beam. The reflected radiation from the wideband gap semiconductor sensor is detected and processed to determine the temperature of the remote location.

The invention is also incorporated into the method of measuring pressure at a remote location. The method of measuring pressure comprises providing a wideband gap semiconductor sensor having an optical property that varies with applied pressure. The wideband gap semiconductor sensor is positioned in the remote location with the pressure of the remote location applied to a surface of the wideband gap semiconductor sensor. The wideband gap semiconductor sensor is irradiated with an interrogating laser beam. The reflected radiation from the wideband gap semiconductor sensor is detected and processed to determine the pressure at the remote location.

The invention is also incorporated into the method of measuring a chemical composition at a remote location. The method of measuring the chemical composition comprises providing a wideband gap semiconductor sensor having an optical property that varies with chemical composition. The wideband gap semiconductor sensor is positioned in the remote location with the chemical composition of the remote location applied to a surface of the wideband gap semiconductor sensor. The wideband gap semiconductor sensor is

irradiated with an interrogating laser beam. The reflected radiation from the wideband gap semiconductor sensor is detected and processed to determine the chemical composition at the remote location.

The foregoing has outlined rather broadly the more pertinent and important features of the present invention in order that the detailed description that follows may be better understood so that the present contribution to the art can be more fully appreciated. Additional features of the invention will be described hereinafter which form the subject of the claims of the invention. It should be appreciated by those skilled in the art that the conception and the specific embodiments disclosed may be readily utilized as a basis for modifying or designing other structures for carrying out the same purposes of the present invention. It should also be realized by those skilled in the art that such equivalent constructions do not depart from the spirit and scope of the invention as set forth in the appended claims.

BRIEF DESCRIPTION OF THE DRAWINGS

For a fuller understanding of the nature and objects of the invention, reference should be made to the following detailed description taken in connection with the accompanying drawings in which:

FIG. 1 is a side view of an air-tight chamber with a thermal energy beam impinging on a wide-bandgap semiconductor substrate for forming a first embodiment of an optical device;

FIG. 2 is an enlarged isometric view of the first embodiment of the optical device formed on a surface of the wide-bandgap semiconductor substrate of FIG. 1;

FIG. 3 is a side view of an air-tight chamber with a concentrated thermal energy beam impinging on a wide-bandgap semiconductor substrate for forming a second embodiment of an optical device;

FIG. 4 is an enlarged isometric view of the second embodiment of the optical device formed within the wide-bandgap semiconductor substrate of FIG. 3;

FIG. 5 is a reproduction of a photograph of a section of a wide-bandgap semiconductor substrate with the optical device embedded therein;

FIG. 6 is an enlarged isometric view of third embodiment of an optical device formed within the wide-bandgap semiconductor substrate;

FIG. 7 is an enlarged isometric view of fourth embodiment of an electro-optical device formed within the wide-bandgap semiconductor substrate;

FIG. 8 is a graph of transmission as a function of wavelength for a series of applied voltages to the electro-optical device of FIG. 7;

FIG. 9 is an enlarged isometric view of a fifth embodiment of an electro-optical device formed in a specific shape within the wide-bandgap semiconductor substrate;

FIG. 10 is a sectional view along line 10-10 in FIG. 9;

FIG. 11 is a sectional view similar to FIG. 10 with a voltage applied to the electro-optical device;

FIG. 12 is a diagram of a process of measuring the temperature of remote location with a wide-bandgap sensor;

FIG. 13 is a diagram of a process of measuring the pressure and/or composition of remote location with a wide-bandgap sensor;

FIG. 14 is a graph illustrating the reflected power for a sample A as a function of temperature from 27° C. to 750° C. for a zero degree (0°) and a forty-five degree (45°) incidence angle;

5

FIG. 15 is a graph illustrating the reflected power for sample B as a function of temperature from 27° C. to 750° C. for a zero degree (0°) and a forty-five degree (45°) incidence angle;

FIG. 16 is a graph illustrating a typical oscillatory reflected power profile commonly referred to as a complementary Airy pattern showing the phase angles between the adjacent branches of the oscillations;

FIG. 17 is a graph of the refractive index for sample A and B, from 27° C. up to 750° C., for 0° and 45° incidence angle;

FIG. 18 is a graph illustrating the concentration depth profiles of Aluminum and Nitrogen measured with SIMS for sample A;

FIG. 19 is a graph illustrating the concentration depth profiles of Aluminum and Nitrogen measured with SIMS for sample B;

FIG. 20 is a graph illustrating the reflectivity plot for sample A and B, as a function of temperature from 27° C. up to 750° C. for 0° and 45° incidence angle;

FIG. 21 is a graph illustrating the thermo optic coefficient for sample A and B from 27° C. up to 750° C. for 6H silicon carbide (SiC) for 0° and 45° incidence angle and literature value for 6H silicon carbide (SiC) at 1.5 micro meter wavelength;

FIG. 22 is a graph illustrating the reflected power for laser-metallized sample as a function of temperature for normal incidence of a He—Ne laser beam of power incident on a substrate the wafer is 6.7 mW;

FIG. 23A is a graph illustrating reflected power of a silicon carbide sensor upon exposure to nitrogen gas at a pressure as a function of temperature at a pressure of 14.7 psi;

FIG. 23B is a graph illustrating reflected power of a silicon carbide sensor upon exposure to nitrogen gas at a pressure as a function of temperature at a pressure of 100 psi;

FIG. 23C is a graph illustrating reflected power of a silicon carbide sensor upon exposure to nitrogen gas at a pressure as a function of temperature at a pressure of 200 psi;

FIG. 23D is a graph illustrating reflected power of a silicon carbide sensor upon exposure to nitrogen gas at a pressure as a function of temperature at a pressure of 400 psi;

FIG. 24A is a graph illustrating reflected power of a silicon carbide sensor upon exposure to argon gas at a pressure as a function of temperature at a pressure of 14.7 psi;

FIG. 24B is a graph illustrating reflected power of a silicon carbide sensor upon exposure to argon gas at a pressure as a function of temperature at a pressure of 100 psi;

FIG. 24C is a graph illustrating reflected power of a silicon carbide sensor upon exposure to argon gas at a pressure as a function of temperature at a pressure of 200 psi;

FIG. 24D is a graph illustrating reflected power of a silicon carbide sensor upon exposure to argon gas at a pressure as a function of temperature at a pressure of 400 psi;

FIG. 25 is a graph of the refractive index of silicon carbide sensor when exposed to nitrogen as a function of temperature at pressures of 14.7 psi, 100 psi, 200 psi and 400 psi;

FIG. 26 is a graph of the refractive index of silicon carbide sensor when exposed to argon as a function of temperature at pressures of 14.7 psi, 100 psi, 200 psi and 400 psi;

FIG. 27 is a graph of the refractive index of a composite layer upon exposure to Nitrogen as a function of temperature at pressures of 14.7 psi, 100 psi, 200 psi and 400 psi;

FIG. 28 is a graph of the refractive index of a composite layer upon exposure to argon as a function of temperature at pressures of 14.7 psi, 100 psi, 200 psi and 400 psi;

6

FIG. 29A is a graph illustrating refractive index of the composite layer sensor upon exposure to Nitrogen and Argon gas at a pressure as a function of temperature at a pressure of 14.7 psi;

FIG. 29B is a graph illustrating refractive index of the composite layer sensor upon exposure to Nitrogen and Argon gas at a pressure as a function of temperature at a pressure of 100 psi;

FIG. 29C is a graph illustrating refractive index of the composite layer sensor upon exposure to Nitrogen and Argon gas at a pressure as a function of temperature at a pressure of 200 psi;

FIG. 29D is a graph illustrating refractive index of the composite layer sensor upon exposure to Nitrogen and Argon gas at a pressure as a function of temperature at a pressure of 400 psi;

FIG. 30A is a graph illustrating refractive index of Nitrogen and Argon gas as a function of pressure at a temperature of 27° C.;

FIG. 30B is a graph illustrating refractive index of Nitrogen and Argon gas as a function of pressure at a temperature of 100° C.;

FIG. 30C is a graph illustrating refractive index of Nitrogen and Argon gas as a function of pressure at a temperature of 200° C.;

FIG. 30D is a graph illustrating refractive index of Nitrogen and Argon gas as a function of pressure at a temperature of 300° C.

Similar reference characters refer to similar parts throughout the several Figures of the drawings.

DETAILED DISCUSSION

FIG. 1 is a side view of an apparatus 5 for forming first embodiment of an optical device 10 on a wide-bandgap semiconductor substrate 20. The wide-bandgap semiconductor substrate 20 is shown located in an air-tight chamber 30. The chamber 30 has an inlet valve 31 and an outlet valve 32 connected to the side wall of the chamber 30. The inlet valve 31 and the outlet valve 32 permit the injection and removal of gases into and from air-tight chamber 30. The chamber 30 includes an airtight transmission window 34. The chamber 30 is disposed on a support member 36 forming an airtight seal therewith.

FIG. 2 is an enlarged isometric view of the wide-bandgap semiconductor substrate 20 shown in FIG. 1. The wide-bandgap semiconductor substrate 20 defines a first and a second side 21 and 22 and a peripheral edge 23. Although the wide-bandgap semiconductor substrate 20 is shown as a square, the present invention is not limited by the physical configuration of the wide-bandgap semiconductor substrate 20 as shown herein.

A thermal energy beam 40 is shown emanating from a source 42 and passing through the airtight transmission window 34 to impinge on the first surface 21 of the wide-bandgap semiconductor substrate 20. In one example, the thermal energy beam 40 is a beam of charged particles such as a beam of electrons or a beam of ions. In another example, the thermal energy beam 40 is a beam of electromagnetic radiation such as a laser beam. Examples of a suitable source of the laser beam include a Nd:YAG laser, a frequency double 2ω Nd:YAG laser or an Excimer laser.

The optical device 10 is shown as a portion of the wide-bandgap semiconductor substrate 20 formed by causing relative movement between the wide-bandgap semiconductor substrate 20 and the thermal energy beam 40. The thermal energy beam 40 impinges on the wide-bandgap semiconduc-

tor substrate **20** to create the optical device **10** within the wide-bandgap semiconductor substrate **20**. The thermal energy beam **40** is scanned in two dimensions across the first surface **21** of the wideband gap semiconductor substrate **20** to form the optical device **10**. In this example, the first surface **11** of the optical device **10** is coincident with the first surface **21** of the wideband gap semiconductor substrate **20** with the remainder of the optical device **10** including the second surface **12** and the peripheral surface **13** being embedded within the wideband gap semiconductor substrate **20**.

The wide-bandgap semiconductor substrate **20** may be formed as a monolith or a thin film substrate having suitable properties for forming the optical device **10** in the wide-bandgap semiconductor substrate **20**. Preferably, the wide-bandgap semiconductor **20** has a bandgap greater than 2.0 electron volts. In one example, the wide-bandgap semiconductor **20** is selected from the group IV of the periodic table and having a bandgap greater than 2.0 electron volts. In a more specific example of the invention, the wide-bandgap semiconductor **20** is essentially a single crystal structure.

In still a more specific example of the invention, the wide-bandgap semiconductor **20** may be a single crystal compound. The elements of the single crystal compound selected are from the group III and the group V of the periodic table and having bandgap greater than 2.0 electron volts. Preferably, one element of the compound has a higher melting point element than the other element of the compound. Specific examples of the wide-bandgap semiconductor compound are selected from the group consisting of Aluminum Nitride, Silicon Carbide, Boron Nitride, Gallium Nitride and diamond.

The inlet valve **31** and the outlet valve **32** in the side wall of the chamber **30** enables the introduction and removal of gases while the thermal energy beam **40** impinges on the wide-bandgap semiconductor substrate **20**. Preferably, doping gases are introduced and removed from the air-tight chamber **30** during the thermal conversion process. The introduction and removal of doping gases from the air-tight chamber **30** changes the characteristics of the optical device **10** during the thermal conversion process.

FIG. **3** is a view similar to FIG. **1** illustrating the air-tight chamber **30** with a concentrated thermal energy beam **46** impinging on a second wide-bandgap semiconductor substrate **20A** for forming a second embodiment of an optical device **10A**. In this embodiment of the invention, the thermal energy beam **40** is passed through an optical element **44** shown as the lens to provide a concentrated thermal energy beam **46** converging at a focal point **48**. The optical element **44** is located relative to the wideband gap semiconductor substrate **20A** to focus the focal point **48** of the concentrated thermal energy beam **46** within the interior of the wideband gap semiconductor substrate **20A**.

FIG. **4** is an enlarged isometric view of the second embodiment of the optical device **10A** formed within the wide-bandgap semiconductor substrate **20A** of FIG. **3**. A two-dimensional movement of the concentrated thermal energy beam **46** creates the optical device **10A** to be totally within the wideband gap semiconductor substrate **20A**.

The concentrated thermal energy beam **46** is adjusted such that the non-concentrated thermal energy beam **46** impinging upon the first surfaced **21A** of the wide-bandgap semiconductor substrate **20A** is insufficient in intensity to convert the wideband gap semiconductor substrate **20A** into the optical device **10A**. The intensity of the focal point **48** of the concentrated thermal energy beam **46** is sufficient to convert the wideband gap semiconductor substrate **20A** into the optical device **10A**. The optical device **10A** is formed totally within

the wideband gap semiconductor substrate **20A** to protect optical device **10A** by the surrounding wideband wideband gap semiconductor material **20A**.

FIG. **5** is a reproduction of a photograph of a section of the wide-bandgap semiconductor substrate with an optical device embedded therein. The photograph is representative of the wide-bandgap semiconductor substrate **20A** with the optical device **10A** shown in FIGS. **3** and **4**.

FIG. **6** is an enlarged isometric view of the third embodiment of the optical device **10B** formed within the wide-bandgap semiconductor substrate **20B**. A two-dimensional movement of the concentrated thermal energy beam **46** creates the optical device **10B** to be formed totally within the wideband gap semiconductor substrate **20B**.

In this embodiment of the invention, the second surface **12B** of the optical device **10B** is coincident with the second surface **22B** of the wideband gap semiconductor substrate **20B** with the remainder of the optical device **10B** including the first surface **11B** and the peripheral surfaces **13B** being embedded within the wideband gap semiconductor substrate **20B**.

FIG. **7** is an enlarged isometric view of fourth embodiment of an electro-optical device **10C** formed within the wide-bandgap semiconductor substrate **20C**. The wide-bandgap semiconductor substrate **20C** defines a first and a second side **21C** and **22C** and a peripheral edge **23C**. In this example, the first surface **11C** of the optical device **10C** is coincident with the first surface **21C** of the wideband gap semiconductor substrate **20C** with the remainder of the optical device **10C** including the second surface **12C** and the peripheral surface **13C** being embedded within the wideband gap semiconductor substrate **20C**.

A first and a second electrode **51** and **52** are interconnected to opposed sections **13C'** and **13C''** of the peripheral edge **13C** of the optical device **10C**. The first and second electrodes **51C** and **52C** are electrically connected to a first and second connector **61C** and **62C**. Preferably, the first and second electrodes **51C** and **52C** and the first and second connectors **61C** and **62C** are formed by the thermal conversion of the wide-bandgap semiconductor substrate **20C**. The thermal conversion process for forming the first and second electrodes **51C** and **52C** and the first and second connectors **61C** and **62C** in the wide-bandgap semiconductor substrate **20C** is set forth in my U.S. Pat. No. 5,145,741; U.S. Pat. No. 5,391,841; U.S. Pat. No. 5,793,042; U.S. Pat. No. 5,837,607; U.S. Pat. No. 6,025,609; U.S. Pat. No. 6,054,375; U.S. Pat. No. 6,271,576 and U.S. Pat. No. 6,670,693.

An incident wave **71C** enters into the first side **21C** of the wide-bandgap semiconductor substrate **20C** and passes through the electro-optical device **10C** to exit as an emerging wave **72C** from the second side **22C** of the wide-bandgap semiconductor substrate **20C**. The emerging wave **72C** exiting from the second side **22C** of the wideband gap semiconductor substrate **20C** is reduced in amplitude relative to the incident wave **71C** entering into the first side **21C** of the wideband gap semiconductor substrate **20C**.

FIG. **8** is a graph of percent of transmission as a function of wavelength for the electro-optical device **10C** of FIG. **7**. The graphs illustrate the percent of incident wave **71C** entering into the first side **21C** of the wide-bandgap semiconductor substrate **20C** that exits as an emerging wave **72C** from the second side **22C** of the wideband gap semiconductor substrate **20C**.

The curve labeled **5V** illustrates the percent of incident wave **71C** that exits as the emerging wave **72C** with a 5 volt bias applied between the first and second electrodes **51C** and **52C**.

The curve labeled 7V illustrates the percent of incident wave 71C that exits as the emerging wave 72C with a 7 volt bias applied between the first and second electrodes 51C and 52C. The curve labeled 9V illustrates the percent of incident wave 71C that exits as the emerging wave 72C with a 9 volt bias applied between the first and second electrodes 51C and 52C. The series of curves 5V, 7V and 9V illustrate the percent of incident wave 71C that exits as an emerging wave 72C may be varies by the voltage applied to the first and second electrodes 51C and 52C.

FIG. 9 is a fifth embodiment of the invention illustrating an electro-optical device 10D formed in the wideband gap semiconductor substrate 20D. In this example, the optical device 10D is shown as a convex lens located within the wideband gap semiconductor substrate 20D. The shape of the lens 10D is formed concurrently with the conversion of the material of the wideband gap semiconductor substrate 20D into the optical device 10D. The shape of the optical device 10D may be formed by a number of methods including a three-dimensional movement of the thermal energy beam 40 and/or varying the intensity and/or the speed of movement of the thermal energy beam 40 impinging upon the wideband gap semiconductor substrate 20D. It should be appreciated by those skilled in the art that the convex lens 10D illustrated in FIG. 9 is merely an example of one type or shape of an optical device which may be formed by the present invention. It should be further appreciated by those skilled in the art that numerous other shapes, sizes and alterations of the optical device 10D may be formed in accordance with the practice of the present invention.

FIG. 10 is a sectional view along line 10-10 in FIG. 9 further illustrating the shape of the optical device 10D. The incident wave 71D enters into the first side 21D of the widebandgap semiconductor substrate 20D and exits as an emerging wave 72D from the second side 22D of the wideband gap semiconductor substrate 20D after passing through the optical device 10D. The emerging wave 72D is shown symbolically exiting from the second side 22D to be parallel to the incident wave 71D enters into the first side 21D of the widebandgap semiconductor substrate 20D.

FIG. 11 is a sectional view similar to FIG. 10 with a voltage applied to the electro-optical device 10D. The voltage applied to the first and second electrodes 51D and 52D alters the refraction index of the electro-optical device 10D. The emerging wave 72D is shown symbolically exiting from the second side 22D to be refracted or altered in direction relative to the incident wave 71D entering into the first side 21D of the wide-bandgap semiconductor substrate 20D.

EXAMPLE I

Laser Synthesis of Optical Phases (Structures)

6H—SiC (single crystal with (0001) Si-face semi-insulating) wafers, 443 μm thick, were placed in a controlled environment and then irradiated with a scanning laser beam. Laser metallization surface and embedded metal-like conductive tracks were produced in both n-type and p-type SiC substrates by the laser direct write technique using inert ambient (Ar and He). Laser metallization is the conversion of a wide bandgap semiconductor to a conductor with a resistivity less than 10^{-2} ohm-cm without the addition of metal. Nanosecond-pulsed Nd:YAG ($\lambda=1064$ and 532 nm) and excimer ($\lambda=193$, 248 and 351 nm) lasers are used. These lasers are capable of laser metallization of insulating and semiconducting crystalline or polycrystalline wide-bandgap semiconductors

necessary to fabricate and produce the various optical and electro-optical devices taught by the invention.

Laser doping experiments were conducted using a Nd:YAG laser of wavelength 1064 nm that can be operated in both continuous wave (CW) and Q-switched modes. For the Q-switched mode, the pulse repetition rate was varied from 2 to 35 kHz. The sample was placed inside a gas tight chamber where it was simultaneously irradiated with the laser and exposed to a dopant-containing ambient. Laser-doped tracks were formed on the sample surface by moving the chamber on a stepper motor-controlled translation stage. The height of the chamber was controlled manually through an intermediate stage to obtain different laser spot sizes on the SiC substrate surface. Nitrogen and Trimethylaluminum (TMA) were used as n-type and p-type dopant gases respectively. The sample was placed in nitrogen of pressure 30 psi for n-type doping. For p-type doping, TMA was separately heated in a bubbler until it evaporated and then a carrier gas Ar was passed through the bubbler to deliver the TMA vapor to the laser doping chamber through a gas tight tube. TMA decomposes at the laser-heated substrate surface producing Al atoms, which subsequently diffuse into the substrate. The SiC substrate was kept at room temperature before laser irradiation in all the experiments.

TABLE 1

Laser Processing Parameters.							
Laser processing region	Pulse energy (mJ)	Pulse repetition rate (kHz)	Focal length (mm)	Beam spot diameter (μ)	Laser fluence (J/cm^2)	Scanning speed (mm/s)	Irradiation passes
n-type zone	4.7	3	150	300	6.65	1	1
p-type zone	5.5	2	150	300	7.75	1	1
Laser metallization zone	4.7	3	150	300	6.65	1	1

Dopant depth profiles were obtained using secondary ion mass spectroscopy (SIMS) with Cs and O₂⁺ sources forming the primary beam. The energy and current of the primary beam were 8 keV and 1 μA respectively, and it was rastered over an area of 200 $\mu\text{m} \times 200$ μm of the laser-doped sample. The dopant depth was calculated from the sputtering rate and time.

Reflectivity and transmission of the as-received, laser metallization and laser doped wafers were measured. These data are used to calculate the optical constants.

Laser metallization of SiC without metal deposition relies on the ability of a laser beam to locally change the stoichiometry of SiC through intense photonic and thermal energy coupling between the beam and the substrate. Pulsed laser irradiation changes the stoichiometry by transforming SiC into either Si-rich or C-rich phases, depending on the chosen processing parameters.

Laser doping has been used to dope both n-type (nitrogen) and p-type (aluminum) dopants in SiC. For n-type doping nitrogen gas was used as a dopant precursor. SIMS (Secondary Ion Mass Spectroscopy) is used to obtain doping concentration profiles for the laser doping processing parameters defined in Table 1. The nitrogen concentration decreases slowly from a wafer surface concentration of approximately

11

1021 cm⁻³ to 1.5×10²⁰ cm⁻³ at a depth of 3 μm. Curve extrapolation approximates a dopant depth of 4.5 μm.

The aluminum concentration at the wafer surface is approximately 2×10²¹ cm⁻³ and decreases to about 1.5×10²⁰ cm⁻³ at a depth of approximately 1100 nm. Curve extrapolation approximates a dopant depth to be about 4.3 μm.

The values of diffusion coefficients for nitrogen and aluminum dopants are found to be 7×10⁻⁷ cm²/s and 4×10⁻⁷ cm²/s respectively, which are at least 5 orders of magnitude higher than the typical values of 5×10⁻¹² cm²/s for nitrogen and 3×10⁻¹⁴ cm²/s~6×10⁻¹² cm²/s for aluminum reported in the literature.

In a preliminary study an optical phase was created inside a polished single crystalline 4H—SiC substrate FIG. 5 with a high intensity laser beam. This embedded laser-metallized optical phase was tested for reflectivity using a green laser (wavelength, λ=532 nm). The reflectivity of both the laser-metallized and parent silicon carbide substrate were found to be 16% and 10% respectively. This is a reflectance increase of 60% for 532 nm wavelength irradiation, at room temperature.

Epitaxial SiC surfaces (epilayers) provide sufficient reflectivity for signal processing as shown in Table 2.

TABLE 2

Reflectivity of Wafer and Epitaxy 4H-SiC surfaces [1].		
Reflectivity (%) of two types of reflecting surfaces		
Lasers	Epilayer	Substrate
Nd:YAG (λ = 1064 nm)	20.6	15
Green laser (λ = 532 nm)	22.6	22.4

In this present invention the optical properties (reflectivity, transmission, absorption coefficient, refractive index and absorption index) of the parent 6H—SiC wafer and the laser synthesized embedded structures (e.g., n-type doped, p-type doped region and laser metallized structures) were calculated based on the transmitted (PT) and reflected (PR) powers measured at a laser wavelength of 1064 nm using intensities much less than those used in laser doping and laser metallization.

The reflectivity of laser synthesized embedded optical structures are increased by 40%; the parent wafer has a reflectivity of 20% and that for the laser synthesized structures are about 28%. Accordingly the transmission of the laser synthesized optical structures decrease to about 9% compared to 60.5% of the parent wafer.

Table 3 lists the calculated absorption coefficients, refractive index and absorption index for the parent 6H—SiC wafer and the laser fabricated embedded optical structures, all of which have been increased (particularly absorption coefficient and absorption index). The absorption index is three orders of magnitude larger compared to the parent wafer. In addition, reported absorption coefficients for 6H—SiC conventionally doped (e.g., ion implantation) do not exceed 200 cm⁻¹ [6]; these laser doping results are greater than a factor of 15 higher.

12

TABLE 3

Room Temperature Optical Properties for Laser Doped Optical Structures in 6H-SiC measured at λ = 1064 nm				
Optical properties	Parent 6H-SiC	Laser doped (n-type)	Laser doped (p-type)	Laser metallization
Absorption coefficient (cm ⁻¹)	6.07	4.66 × 10 ³	4.64 × 10 ³	4.56 × 10 ³
Refractive index	2.62	3.25	3.31	3.21
Absorption index	5.14 × 10 ⁻⁵	0.039	0.039	0.039

These increases in absorption coefficient are probably related to the formation of a carbon rich composition formed by laser metallization. Laser irradiation raises the SiC surface to the peritectic reaction temperature (Tp≈2800° C.) thermally decomposing the SiC into a molten Si supersaturated with graphite. The change in the Si/C atomic ratio shifts the bandgap and therefore dramatically changes the absorptivity since the absorption is directly related to the bandgap.

Laser doping significantly increases the dopant concentration, compared to conventional doping (e.g., ion implantation) and, therefore, the corresponding effects of band filling, bandgap shrinkage and free carrier absorption increase the absorption coefficient.

Optical structures exhibiting elements of both laser metallization (e.g., a degree of Si/C atomic ratio change from a 1:1 stoichiometry) and laser doping are predicted to have the highest absorption coefficient, as observed.

EXAMPLE II

Embedded Optical Phases (Structures)

The laser beam can be focused within the SiC wafer. In addition, an incident laser beam is transmitted through the top surface of the 6H—SiC wafer and is focused by refraction in the SiC wafer to a smaller beam diameter in effect increasing laser beam intensity. This is a direct write process. Optical interferometry roughness measurements showed no deterioration in surface roughness of the embedded optical phase (e.g., a reflector) created adjacent to the back surface after this mode of laser metallization; consequently, no post anneal is required. The fact that the width of the laser written reflector is smaller than the diameter of the incident focused laser beam is surprising and is not anticipated by Snell's Law. A plausible explanation is the activation of nonlinear absorption, which leads to the onset of a self-focusing effect in SiC wafers on the order of 443 μm thick. The laser beam scanning for laser metallization and laser doping can be controlled to create an embedded optical lens, optical waveguide and optical concentrator.

EXAMPLE III

Laser Synthesized Electro-Optical Device

A tunable optical filter is fabricated using laser synthesis technologies; primarily the tools of laser metallization and laser doping. An n-doped 4H—SiC substrate is irradiated with a laser beam to create two laser-metallized tracks along the paths of the laser beam. The original laser doped n-doped semiconductor material remains unaffected by the laser beam between these two tracks, resulting in the fabrication of a metal-semiconductor-metal (MSM) device. The transmissivity of infrared

radiation through the semiconductor changes when voltage is applied to the MSM through the tracks. This observation makes it possible to use the MSM device as a tunable optical filter. The observed property of the MSM device provides a reconfigurable means of routing optical signals in three dimensions. It can also be used as a switch.

These processes enable the use of wide bandgap semiconductors (WBGs), which have higher breakdown voltages and therefore can accommodate higher voltages. A higher operational voltage (field) range allows optical property tunability over a larger electromagnetic wavelength range. For example, silicon shows tunability over 0.8 nm wavelength range (ref: N. Duovich et al, IEEE, J. Quantum Electron, 37, 1030-1039 (2001)). Gallium Arsenide shows a tunability range over 200 nm (ref: Website: Semiconductor Optoelectronic Device (Winter 2002)).

Silicon carbide shows a tunability range >1850 nm as demonstrated from our preliminary experiments where we applied a maximum voltage of 9V. This tunability range can be further increased with increase in applied voltage, say to 50V since wide bandgap semiconductors can tolerate higher breakdown voltages than either silicon or gallium arsenide (Table 4).

TABLE 4

Semiconductor Properties			
Property	Silicon	Gallium Arsenide	6H Silicon Carbide
Band Gap	1.12 eV	1.424 eV	3 eV
Breakdown field	0.3 MV/cm	0.4 MV/cm	3 MV/cm
Dielectric constant	11.7	12.9	10
Thermal Conductivity	1.3 W/K-cm	0.55 W/K-cm	5 W/K-cm
Saturated electron drift velocity	1×10^7 cm/sec	1×10^7 cm/sec	2×10^7 cm/sec

The approach relies on the fact that the optical properties of n-type 4H—SiC are controlled by its free carrier concentration. Laser direct metallization is used to fabricate metal-like contacts in situ in n-type 4H—SiC ($\sim 5 \times 10^{19}$ cm⁻³) substrates generating a conductor-semiconductor-conductor structure as shown in FIGS. 7 and 9. Here, $\Delta\%$ Transmission = (% transmission at a biasing voltage V - % Transmission at zero bias). Application of a biasing voltage (either forward or reverse) between the two contacts in this structure affects the optical transmissivity of the n-type SiC semiconductor.

FIG. 8 shows that the transmission increases as the magnitude of the applied voltage increases over the wavelength range 1000-3000 nm at an applied bias of 5-9 volts. Measurements were taken from 350 nm. The difference between the maximum and minimum values increases with the applied bias.

These results indicate that the laser-metallized SiC can act as a tunable optical filter in the infrared regime. The origin of the tunability is related to the free carrier absorption phenomenon, i.e., the free carrier response to the incident electromagnetic field (at the JR wavelength) in the presence of the biasing voltage or the electric field. Originally, when the sample is under no external bias the optical transmission at a given photon energy smaller than the bandgap is controlled by both the sub-bandgap transition and free carrier absorption. An applied bias can deplete a given donor level by sweeping its electronic carriers to the conduction band. This decreases the contribution of the sub-bandgap transition to the overall absorption at the corresponding wavelength. The free carriers

swept to the conduction band increase the contribution of the free carrier absorption at a higher wavelength (i.e., lower frequency). Such behavior is responsible for the appearance of the maximum and minimum values in the transmission spectrum. The maximum corresponds to the wavelength with photon energy equal to the difference between the depleted donor level and the conduction band edge. On the other hand, the minimum value, obtained at a higher wavelength, has a particular value which depends on the dopant concentration and the density of states in the conduction band at a given temperature. It should be noted that the above-mentioned tunable optical response is only observed for SiC single crystal doped with donor concentration higher than 10^{19} cm⁻³. The application of a biasing voltage to a laser doped SiC wafer with laser metallized electrodes with dopant concentration lower than 10^{19} cm⁻³ did not reveal such a tunable response.

This example III demonstrates that photonic devices (e.g., waveguides, lenses, concentrators, etc.) exhibiting dynamically changing optical properties resulting from a change in biasing voltage can be fabricated by the combination of laser doping and laser metallization. Further, this example III demonstrates that the combination of laser doping and laser metallization can be used to fabricate integrated electronic and photonic devices and, therefore, electro-optic, opto-electric, and integrated electronic-photonic circuits.

FIG. 11 is a diagram of the first embodiment of the optical device 10 being used for measuring temperature. In this example, the optical device 10 is formed as an optical temperature sensor device 10E. The optical temperature sensor device 10E is suitable for measuring temperature in a remote location 81 from an ambient location 82.

In this example, the remote location 81 is shown as a closure 90 having an opening 92 communicating the ambient 82. A transparent window 94 is positioned within the opening 92 by a mounting 96.

Although the remote location 81 has been shown as a closure, it should be understood that the remote location 81 may be any type of remote location. A few examples of the remote location 81 include chemical, mechanical and nuclear combustors, reactors and chambers as well as earth, planet and space locations, and biological species locations.

The optical temperature sensor device 10E is formed within the wide-bandgap semiconductor substrate 20E as previously described with reference to FIGS. 1 and 2. The wide-bandgap substrate semiconductor substrate 20E has a first and a second substrate surface 21E and 22E. The optical temperature sensor device 10E includes a first and a second optical surface 11E and 12E.

The wide-bandgap semiconductor substrate 20E is positioned within the remote location 81 with the first surface 11E of the optical temperature sensor device 10E facing the transparent window 94.

An interrogating laser 100 projects an incident laser beam 101 through a polarizing filter 104 and a beam splitter 106. The incident laser beam 101 projects through the transparent window 94 to irradiate upon the optical temperature sensor device 10E. For oblique incidence, the reflected power was measured without the beam splitter 106.

The first and second surfaces 11E and 12E of the optical temperature sensor device 10E reflect the incident laser beam 101 as reflected radiation 102. The beam splitter 106 reflects the reflected radiation 102 to impinge upon a detector 110. The output of the detector 110 is connected to a power meter 112 and a computer 114 for data analysis and processing.

The incident laser beam 101 irradiating upon the optical temperature sensor device 10E is a coherent light beam.

Although it should be understood that various light sources may be used to interrogated the optical temperature sensor device **10E**, a continuous wave He—Ne laser operating at a wavelength of 632.8 nm has been found to be suitable for the practice of this invention.

The reflected radiation **102** from the first and second surfaces **11E** and **12E** of the optical temperature sensor device **10E** forms interference pattern (not shown) that impinges on the detector **110**. The output of the detector **110** is analyzed by a power meter **112** and a computer **114** to determine the temperature of the remote location **81**. A more detailed explanation of the process the data from the detector by the power meter and the computer is set forth hereinafter.

FIG. **12** is a diagram of the second embodiment of the optical device **10A** being used for measuring pressure and/or chemical composition. In this example, the optical device **10** is formed as an optical sensor device **10F**. The optical sensor device **10F** is suitable for measuring pressure and/or chemical composition in a remote location **81** from an ambient location **82**.

In this example, the remote location **81** is shown separated by an ambient **82** by a wall closure **91** having an opening **93**. It should be understood that the remote location **81** may be any type of remote location as heretofore described.

The optical sensor device **10F** is formed within the wide-bandgap semiconductor substrate **20F** as previously described with reference to FIGS. **3-5**. The wide-bandgap substrate semiconductor substrate **20F** has a first and a second substrate surface **21F** and **22F**. The optical sensor device **10F** includes a first and a second optical surface **11F** and **12F**.

The wide-bandgap semiconductor substrate **20F** is secured within the opening **93** by a mounting **96**. The wide-bandgap semiconductor substrate **20F** is positioned such that the first surface **11F** of the optical sensor device **10F** is exposed to the ambient location **82** and facing the interrogating laser **100**. The wide-bandgap semiconductor substrate **20F** is positioned further to expose the second surface **12F** of the optical sensor device **10F** to the remote region **81**. Although the optical sensor device **10F** is shown located within the opening **93**, it should be understood that the present invention is not limited to the specific physical arrangement, location and mounting of the optical sensor device **10F** within the remote region **81**.

An interrogating laser **100** projects an incident laser beam **101** through a polarizing filter **104** and a beam splitter **106**. The incident laser beam **101** irradiates upon the optical sensor device **10F**.

The first and second surfaces **11F** and **12F** of the optical sensor device **10F** reflect the incident laser beam **101** as reflected radiation **102**. The beam splitter **106** reflects the reflected radiation **102** to impinge upon a detector **110**. The output of the detector **110** is connected to a power meter **112** and a computer **114** for data analysis and processing.

The incident laser beam **101** irradiating upon the optical sensor device **10F** is a coherent light beam. Although it should be understood that various light sources may be used to interrogated the optical temperature sensor device **10F**, a continuous wave He—Ne laser operating at a wavelength of 632.8 nm has been found to be suitable for the practice of this invention.

The reflected radiation **102** from the first and second surfaces **11F** and **12F** of the optical sensor device **10F** forms interference pattern (not shown) that impinges on the detector **110**. The output of the detector **110** is analyzed by a power meter **112** and a computer **114** to determine the temperature of the remote location **81**.

A continuous wave He—Ne laser operating at a wavelength of 632.8 nm is used as the probe beam to interact with

the SiC sensor remotely as a function of temperature. The reflected power is measured with an optical power detector connected to a power meter. The data collection process is computerized to provide accurate value of temperature and power. Both the reflected power and temperature are collected in a time-synchronized manner by using the computer. The optical response of the sensor is evaluated for defined incident angles of (0°) and (45°). For normal incidence, the beam is partially transmitted through the beam splitter placed at 45° angle with respect to the incident beam. The beam splitter was specifically designed to operate at 632.8 nm wavelength. A fraction of this beam is reflected and transmitted by the sensor.

FIG. **14** is a graph illustrating the reflected power for a sample A as a function of temperature from 27° C. to 750° C. for a zero degree (0°) and a forty-five degree (45°) incidence angle.

FIG. **15** is a graph illustrating the reflected power for sample B as a function of temperature from 27° C. to 750° C. for a zero degree (0°) and a forty-five degree (45°) incidence angle.

FIG. **16** is a graph illustrating a typical oscillatory reflected power profile commonly referred to as a complementary Airy pattern showing the phase angles between the adjacent branches of the oscillations.

FIG. **17** is a graph of the refractive index for sample A and B, from 27° C. up to 750° C., for 0° and 45° incidence angle.

FIG. **18** is a graph illustrating the concentration depth profiles of Aluminum and Nitrogen measured with SIMS for sample A.

FIG. **19** is a graph illustrating the concentration depth profiles of Aluminum and Nitrogen measured with SIMS for sample B.

FIG. **20** is a graph illustrating the reflectivity plot for sample A and B, as a function of temperature from 27° C. up to 750° C. for 0° and 45° incidence angle.

FIG. **21** is a graph illustrating the thermo optic coefficient for sample A and B from 27° C. up to 750° C. for 6H silicon carbide (SiC) for 0° and 45° incidence angle and literature value for 6H silicon carbide (SiC) at 1.5 micro meter wavelength.

FIG. **22** is a graph illustrating the reflected power for laser-metallized sample as a function of temperature for normal incidence of a He—Ne laser beam of power incident on a substrate the wafer is 6.7 mW.

Analytical Program

Several sets of the reflected power were measured for each of the laser-doped samples A and B in accordance with the doping profile in FIGS. **18** and **19**. A representative set is presented in FIGS. **14** and **15**, respectively. The measured reflected power has definite oscillatory patterns as a function of the sensor temperature as indicated in FIGS. **14A 14B**. The type and a mount of dopant atoms present in the SiC wafer and thickness may also affect the nature of the patterns. Since both surfaces of the samples were polished, a portion of the beam transmitted through the top surface of the sample is reflected by the inner bottom surface and this reflected light undergoes multiple reflections inside the sample, i.e., within the thickness of the sample. At each reflection point, a portion of the beam transmits through the top surface and these transmitted beams interfere to form the observed oscillatory pattern. On the other hand, the actual scattered power is obscured by these oscillations, hindering the exact evaluation of reflectivity using the measured power data because such data contain the effects of multiple reflections and the power of the specular reflected light. Due to the oscillatory patterns, the standard deviation in the estimated reflected power as a func-

tion of temperature becomes large. The phase angles of the interference fringes, which are manifested through the oscillatory patterns as a function of temperature FIGS. 14A and 14B can be used to extract the refractive index and thermo-optic coefficient by considering that the wafer is inherently a Fabry-Perot etalon where the top and bottom surfaces of the sample serve as reflecting surfaces.

Refractive Index Analytical Program

The optical properties of the sensor were calculated using the oscillatory reflected power (P_R) obtained as a function of the sensor temperature for a defined incident angle. For the case of multiple reflections, the reflected light intensity pattern is given by the following complementary Airy function

$$\frac{I_r}{I_i} = \frac{F \sin^2 \phi}{1 + F \sin^2 \phi} \quad (1)$$

where I_i is the incident flux density, I_r , the reflected flux density, F is the coefficient of finesse given by $F = [2\sqrt{R}/(1-R)]^2$, R is the reflectance of the sample. The phase angle ϕ of the interference fringes (oscillatory pattern of the reflected power in this study) is given by $\phi = 2\pi n_s d/\lambda_0$, where n_s is the refractive index of the sample (silicon carbide), d is the thickness of the sample and λ_0 is the wavelength of the incident light in vacuum. Noting that n_s and d vary with temperature, the variation of ϕ with respect to temperature can be obtained as follows by using the above expression for ϕ

$$\frac{\partial \phi}{\partial T} = \frac{2\pi d}{\lambda_0} \frac{\partial n}{\partial T} + \frac{2\pi n}{\lambda_0} \frac{\partial d}{\partial T} = \frac{2\pi d}{\lambda_0} \left(\frac{\partial n}{\partial T} + \alpha n \right) \quad (2)$$

where

$$\alpha = \frac{1}{d} \frac{\partial d}{\partial T},$$

which is the thermal expansion coefficient of the wafer. Its value for 6H—SiC is given by

$$\alpha = 3.19 \times 10^{-6} + 3.60 \times 10^{-9} \times T - 1.68 \times 10^{-12} \times T^2 \quad (3)$$

in the unit of K^{-1} , where T is the sensor temperature in Kelvin. The phase shift of the reflected wave between any two adjacent maximum and minimum reflected powers is π . Let P_m and P_{m+1} be two such adjacent data points as shown in FIG. 15. The refractive index and temperature of the sensor corresponding to these two data points are n_m, T_m and n_{m+1}, T_{m+1} respectively such that $T_{m+1} > T_m$. Assuming the curve to be linear between the points P_m and P_{m+1} in the oscillatory pattern and applying the central finite difference approximation to (2) at the midpoint of this straight line, an expression for n_{m+1} can be obtained as follows

$$n_{m+1} = \frac{1}{1 + \frac{\alpha_{mid} \Delta T}{2}} \left[\frac{\lambda_0}{2d} + \left(1 - \frac{\alpha_{mid} \Delta T}{2} \right) n_m \right]. \quad (4)$$

Here α_{mid} is the thermal expansion coefficient of the sensor material at the temperature corresponding to the midpoint (P_{mid}) of the straight line $P_m P_{m+1}$ in FIG. 15,

$$\text{i.e., } \alpha_{mid} = \alpha \left(\frac{T_m + T_{m+1}}{2} \right) \text{ and } \Delta T = T_{m+1} - T_m.$$

Knowing the refractive index (n_0) of SiC at room temperature (T_0), the refractive indices can be obtained at higher temperatures by using (4).

Examples of Refractive Index Analytical Program

Experiments were carried out to obtain the values of n_0 for samples A and B. The powers of the He—Ne laser beam reflected by and transmitted through each of the samples were measured at room temperature (T_0). Based on these data, the refractive index (n_0) and absorption index (k_0) were calculated by using the Fresnel reflection formula, Beer-Lambert law and the relationship between the absorption coefficient and absorption index. For normal incidence, the values of n_0 and k_0 were found to be 2.596 ± 0.247 and $(7.448 \pm 0.331) \times 10^{-5}$, and 2.416 ± 0.266 and $(6.739 \pm 0.318) \times 10^{-5}$ for samples A and B respectively. Similarly for 45° angle of incidence, the values of n_0 and k_0 were found to be 2.633 ± 0.483 and $(3.913 \pm 0.322) \times 10^{-5}$, and 2.499 ± 0.447 and $(3.540 \pm 0.322) \times 10^{-5}$ for samples A and B respectively. Now, (4) can be applied to obtain the refractive index at higher temperatures. However, (4) needs to be implemented over each branch of the oscillation in each cycle, i.e., n needs to be calculated as n_1 for temperature T_1 , n_2 for temperature T_2 and so on. Here the temperature difference, e.g., $T_2 - T_1$ or $T_3 - T_2$, should be on the same branch within each cycle as shown in FIG. 3. The refractive indices are plotted in FIG. 16 as a function of temperature. The refractive indices for oblique incidence are slightly higher than that for normal incidence, which may be due to the crystal structure of 6H—SiC polytype. 6H—SiC is a uniaxial, anisotropic crystal and the refractive index of such materials varies with the incident angle. This type of material will have varying refractive index lying between two extrema corresponding to the refractive indices obtained for lights traveling along the c^\perp or c^\parallel axis of the crystal. The prior art reported refractive indices 2.63 and 2.67 along C^\perp and c^\parallel axes respectively for 6H—SiC at room temperature, confirming that the refractive index depends on the orientation of the crystal lattice relative to the incident light.

The refractive indices of the two samples are also different as shown in FIG. 16. This difference may be due to the differences in their dopant (both n- and p-type dopants) concentrations as shown in FIGS. 5 and 6 for samples A and B respectively. The effect of dopant concentrations on the refractive index is given by the following expression [23]–[25]

$$\Delta n = - \frac{e^2 \lambda_0^2}{8\pi^2 c^2 n_u \epsilon_0} (N_e / m_{ce}^* + N_h / m_{ch}^*) \quad (5)$$

which is based on a free carrier model. Here $n = n_u - n_d$, n_u and n_d are the refractive indices of undoped and doped wafers respectively, e is the electronic charge, λ_0 is the optical wavelength in vacuum, N_e is the free electron concentration pertaining to the n-type dopant atoms, N_h is the free hole concentration pertaining to the p-type dopant atoms, m_{ce}^* and m_{ch}^* are the conductivity effective masses of electrons and holes respectively. Equation (5) was derived under the approximations that $\alpha^2 \lambda_0^2 \gg 1$ and the square of absorption

index is negligible compared to the square of refractive index, where $\Delta n = 2c/\tau$ and τ is the relaxation time of free carriers. These approximations hold good for silicon in the wavelength range of 1.2 to 1.8 μm . In the present case of SiC samples, the absorption indices have been noted above as negligibly smaller than the refractive indices. Also in the visible wavelength of the He—Ne laser, $\Delta n^2/\Delta n$ would be much larger than unity. Therefore (5) can be applied to the silicon carbide samples A and B to indicate that their dopant concentrations affect their refractive indices.

Based on curve-fits, the variation of the refractive index with temperature is given by the following expressions were θ —the incident angle:

Sample A:

$$n = 2.59 + 3.84 \times 10^{-5} \times T + 1.84 \times 10^{-8} \times T^2 + 7.07 \times 10^{-12} \times T^3 \quad (6a)$$

for $\theta_i = 0^\circ$

$$n = 2.63 + 2.2 \times 10^{-5} \times T + 7.07 \times 10^{-8} \times T^2 - 3.16 \times 10^{-11} \times T^3 \quad (6b)$$

for $\theta_i = 45^\circ$

Sample B:

$$n = 2.41 + 5.61 \times 10^{-5} \times T + 3.18 \times 10^{-8} \times T^2 + 5 \times 10^{-12} \times T^3 \quad (7a)$$

for $\theta_i = 0^\circ$

$$n = 2.49 + 4.89 \times 10^{-5} \times T + 1.62 \times 10^{-8} \times T^2 + 1.23 \times 10^{-11} \times T^3 \quad (7b)$$

for $\theta_i = 45^\circ$

Reflectivity Analytical Program

For the randomly polarized laser beam in this study, the beam was assumed to consist of 50% perpendicular component and 50% parallel component. The calculated net reflectivity (R) is the contribution of these components as given below.

$$R = 0.5 \times R_{TE} + 0.5 \times R_{TM} \quad (8)$$

For normal incidence, the reflectivity can be approximated by the following expression:

$$R = \frac{(n_s - 1)^2}{(n_s + 1)^2} \quad (9)$$

Based on the refractive indices given by 6(a, b) and 7(a, b), the reflectivities of samples A and B were calculated as a function of temperature as presented in FIG. 19. Based on curve-fits, the variation of the reflectivity with temperature is given by the following expressions:

Sample A:

$$R = 19.61 + 5.27 \times 10^{-4} \times T + 2.52 \times 10^{-7} \times T^2 + 9.24 \times 10^{-11} \times T^3 \quad (10a)$$

for $\theta_i = 0^\circ$

$$R = 22.97 + 1.38 \times 10^{-4} \times T + 1.10 \times 10^{-6} \times T^2 - 6.17 \times 10^{-10} \times T^3 \quad (10b)$$

for $\theta_i = 45^\circ$

Sample B:

$$R = 17.09 + 7.97 \times 10^{-4} \times T + 4.50 \times 10^{-7} \times T^2 + 6.26 \times 10^{-11} \times T^3 \quad (11a)$$

for $\theta_i = 0^\circ$

$$R = 21.4 + 5.52 \times 10^{-4} \times T + 1.57 \times 10^{-7} \times T^2 + 1.73 \times 10^{-10} \times T^3 \quad (11b)$$

for $\theta_i = 45^\circ$

Thermo-Optic Coefficient Analytical Program

Thermo-optic coefficient (dn/dT), which is the rate of change of refractive index with temperature, was obtained by taking the derivative of the third order polynomial fit of refractive index as a function of temperature. This factor is important in optoelectronic device applications such as switches, modulators and filters. The thermo-optic coefficients of optical materials are generally in the range of 10^{-3} to

10^{-5} . The data reported in the prior art for 6H—SiC at 1.5 μm have also been plotted along with the results of this study in FIG. 19. The thermo-optic coefficients are approximately $10^{-5} \text{ } ^\circ\text{C}^{-1}$ for both samples A and B. The thermo-optic coefficient is the derivative of refractive index and, therefore, it is very sensitive to the changes in refractive index with respect to temperature. Small errors due to averaging and curve fitting may influence the derivative, i.e., the thermo-optic coefficient. This can be observed in FIG. 19 as the data for sample A follow a different trend at both the normal and oblique incident angles, whereas the data are found to be similar for sample B.

Laser Metallization to Create Monotonic Response

In FIGS. 14 and 15, the reflected powers are oscillatory, i.e., multi-valued functions of temperature. In other words, the optical responses in these two figures are not monotonically increasing or decreasing functions of temperature. Therefore such data cannot be used directly to measure temperature by using SiC as a thermal sensor in practical applications. To obtain a better optical response that can be used directly for temperature measurement, the microstructure inside sample A was modified by irradiating the sample with a high intensity Nd:YAG pulsed laser beam (average laser power=2.5 W, pulse repetition rate=5 kHz, beam radius at the surface of the sample=45 to 55 μm with the laser focal spot being 5 mm above the top surface of the sample, laser beam scanning speed=1 mm/s) in the presence of argon gas at 30 psi pressure. This process is known as laser metallization in which localized heating by the high intensity laser beam disorders the crystalline structure of SiC and produces carbon-rich phases which usually exhibit metal-like properties. The laser parameters were chosen properly to modify the microstructure inside sample A. The optical response of this laser-metallized sample was obtained as a function of temperature for the He—Ne laser as presented in FIG. 18, which shows that the oscillations of the reflected power are negligibly small compared to the oscillations in FIGS. 14 and 15. Due to this, the reflected power in FIG. 18 can be considered as a monotonic function of temperature.

FIG. 23A is a graph illustrating reflected power of a silicon carbide sensor upon exposure to nitrogen gas at a pressure as a function of temperature at a pressure of 14.7 psi.

FIG. 23B is a graph illustrating reflected power of a silicon carbide sensor upon exposure to nitrogen gas at a pressure as a function of temperature at a pressure of 100 psi.

FIG. 23C is a graph illustrating reflected power of a silicon carbide sensor upon exposure to nitrogen gas at a pressure as a function of temperature at a pressure of 200 psi.

FIG. 23D is a graph illustrating reflected power of a silicon carbide sensor upon exposure to nitrogen gas at a pressure as a function of temperature at a pressure of 400 psi.

FIG. 24A is a graph illustrating reflected power of a silicon carbide sensor upon exposure to argon gas at a pressure as a function of temperature at a pressure of 14.7 psi.

FIG. 24B is a graph illustrating reflected power of a silicon carbide sensor upon exposure to argon gas at a pressure as a function of temperature at a pressure of 100 psi.

FIG. 24C is a graph illustrating reflected power of a silicon carbide sensor upon exposure to argon gas at a pressure as a function of temperature at a pressure of 200 psi.

FIG. 24D is a graph illustrating reflected power of a silicon carbide sensor upon exposure to argon gas at a pressure as a function of temperature at a pressure of 400 psi.

FIG. 25 is a graph of the refractive index of silicon carbide sensor when exposed to nitrogen as a function of temperature at pressures of 14.7 psi, 100 psi, 200 psi and 400 psi.

FIG. 26 is a graph of the refractive index of silicon carbide sensor when exposed to argon as a function of temperature at pressures of 14.7 psi, 100 psi, 200 psi and 400 psi.

FIG. 27 is a graph of the refractive index of a composite layer upon exposure to Nitrogen as a function of temperature at pressures of 14.7 psi, 100 psi, 200 psi and 400 psi.

FIG. 28 is a graph of the refractive index of a composite layer upon exposure to argon as a function of temperature at pressures of 14.7 psi, 100 psi, 200 psi and 400 psi.

FIG. 29A is a graph illustrating refractive index of the composite layer sensor upon exposure to Nitrogen and Argon gas at a pressure as a function of temperature at a pressure of 14.7 psi.

FIG. 29B is a graph illustrating refractive index of the composite layer sensor upon exposure to Nitrogen and Argon gas at a pressure as a function of temperature at a pressure of 100 psi.

FIG. 29C is a graph illustrating refractive index of the composite layer sensor upon exposure to Nitrogen and Argon gas at a pressure as a function of temperature at a pressure of 200 psi.

FIG. 29D is a graph illustrating refractive index of the composite layer sensor upon exposure to Nitrogen and Argon gas at a pressure as a function of temperature at a pressure of 400 psi.

FIG. 30A is a graph illustrating refractive index of Nitrogen and Argon gas as a function of pressure at a temperature of 27° C.

FIG. 30B is a graph illustrating refractive index of Nitrogen and Argon gas as a function of pressure at a temperature of 100° C.

FIG. 30C is a graph illustrating refractive index of Nitrogen and Argon gas as a function of pressure at a temperature of 200° C. and

FIG. 30D is a graph illustrating refractive index of Nitrogen and Argon gas as a function of pressure at a temperature of 300° C.

Optical techniques such as multibeam interference have been used for temperature measurement by interrogating a thin film of SiC (0.5-2 μm) on a single crystal sapphire, a Fabry-Perot cavity. The temperature response of the sensor was evaluated up to 540° C. in the visible to infrared wavelength region. In this study the optical response of a silicon carbide wafer segment has been detected in the form of a complementary Airy pattern for two different gases for varying temperature and pressure. The SiC wafer segment is a Fabry-Perot etalon. The principle of multibeam interferometry has been applied to analyze the patterns.

The reflected radiation is measured with an optical power detector connected to a power meter. A randomly polarized He—Ne laser beam is converted to the transverse magnetic (TM) mode, i.e., a parallel polarization component created by passing the beam through a polarizer. The beam splitter is specifically designed to operate at 632.8 nm wavelength. A fraction of this beam is reflected and transmitted by the sensor. The reflected beam is transmitted through the beam splitter onto a detector that measures its power.

The power of the He—Ne laser beam reflected by the silicon carbide substrate exhibited oscillatory patterns FIGS. 23 and 24, which are due to the constructive and destructive interferences of the reflected light. A portion of the incident beam is transmitted through the silicon carbide wafer segment. This beam undergoes multiple reflections between the top and bottom surfaces of the wafer segment, emerges as phase-shifted light through the top surface and interferes to produce the observed interference pattern. In FIGS. 23 and 24 the maxima represents the constructive interference effect and the minima is the destructive interference. The maxima correspond to the even multiples of the phase angle (φ) and the minima correspond to the odd multiples of φ. For normal incidence of the laser beam, the phase angle is given by

$$\varphi = 2\pi \frac{n(\lambda, T, P)d(T, P)}{\lambda} \tag{12}$$

TABLE 5

Fitting parameters a and b for determining the refractive index of nitrogen and argon.									
Gas	Pressure (psi)	27° C.			300° C.				
		n ₃	N	n _g	n ₃	N	n _g	a	b
Nitrogen	14.7	2.359	2.41618	1.00027	2.34623	2.43851	1.00014	-0.5411	3.665
	100	2.35	2.42312	1.00184	1.99335	2.44037	1.00096	-18.29	46.602
	200	2.3284	2.42593	1.00369	1.98377	2.44312	1.00193	-15.88	40.703
	400	2.29255	2.42885	1.00739	1.9718	2.44729	1.00387	-11.61	30.278
Argon	14.7	2.2104	2.41202	1.00025	2.19345	2.43556	1.00013	-0.6876	3.8676
	100	2.20871	2.42020	1.00174	2.12064	2.43833	1.00091	-4.283	12.552
	200	2.19357	2.42206	1.00348	2.06	2.44020	1.00182	-5.872	16.360
	400	2.17981	2.4251	1.00696	1.98027	2.44385	1.00364	-7.191	19.485

A helium-neon laser of wavelength 632.8 nm is used as a probe laser to obtain the complementary Airy pattern of the laser power reflected off a silicon carbide wafer segment at high temperatures (up to 300° C.) and pressures (up to 400 psi). The interference patterns revealed unique characteristics for nitrogen and argon test gases. This pattern is different at the same pressure and temperature for the two gases, indicating the chemical sensing capability of silicon carbide. Also the pattern changes with pressures for the same gas, indicating the pressure sensing capability. The refractive index of silicon carbide is obtained for different pressures and temperatures using the interference pattern. A three-layer model program using reflected radiation is used to calculate the refractive indices of the gases.

where n(λ,T,P) is the refractive index of the optical sensing device 10F, which is influenced by the wavelength (λ) due to the dispersion phenomenon, temperature (T) due to the thermo-optic effect and pressure (P) due to the stress-optics effect. d(T,P) is the sample thickness which is affected by the temperature and pressure, and λ is the wavelength of the incident light in vacuum.

FIGS. 23 and 24 represent the reflected radiation of the optical sensing device 10F when the second surface 22F is exposed to nitrogen and argon, respectively, at varying pressures. The change in temperature at a constant pressure causes the reflected radiation to oscillate between certain maximum and minimum values. These oscillations reveal an interesting pattern. Unlike the cases of atmospheric pressure

shown in FIG. 23A and FIGS. 24A, the oscillations tend to diverge progressively with temperature at higher pressures. The divergence patterns of the oscillations are unique to the type of gases, nitrogen and argon in this case, signifying that these patterns can be attributed to the characteristic identity of the individual gases in chemical sensing applications. The optical sensor device 10F is selective to the gas species. Another aspect of these characteristic oscillations is that the divergence pattern fans out with increasing pressure, thus enabling pressure sensing capability of the optical sensor device 10F.

Refractive Index Analytical Program for High Pressure and Temperature

The refractive index of the optical sensor device 10F can be obtained from the above-mentioned interference pattern using the following expression

$$n_{m+1} = \frac{1}{1 + \frac{\alpha_{mid}\Delta T}{2}} \left[\frac{\lambda_0}{2d(T_0, P)} + \left(1 - \frac{\alpha_{mid}\Delta T}{2}\right)n_m \right], \quad (13)$$

where n_{m+1} and n_m are the refractive indices of optical sensor device 10F at locations l_{m+1} and l_m , i.e., at temperatures T_{m+1} and T_m , respectively and at the pressure P that was applied to the wide-bandgap semiconductor substrate 20F using nitrogen or argon. In other words, n_m can be written as $n_m = n(T_m, P)$ for a fixed wavelength. α_{mid} is the thermal expansion coefficient of wide-bandgap semiconductor substrate 20F at the temperature corresponding to the midpoint (l_{mid}) of the straight line $l_m l_{m+1}$ in. Its value for silicon carbide is given by

$$\alpha = 3.19 \times 10^{-6} + 3.60 \times 10^{-9} \times T - 1.68 \times 10^{-12} \times T^2. \quad (14)$$

$$\text{So } \alpha_{mid} = \alpha \left(\frac{T_m + T_{m+1}}{2} \right) \text{ and } \Delta T = T_{m+1} - T_m.$$

Knowing the refractive index (n_0) of SiC, which is calculated at room temperature (T_0) using Fresnel's formula $R = (n-1)^2 / (n+1)^2$, the refractive indices can be obtained at higher temperatures from Eq. (2). While the effect of temperature on the thickness of silicon carbide is considered using the thermal expansion coefficient, the effect of pressure on the thickness is taken into account using the expression $d(T_0, P) = d_0(1 - \epsilon)$, where $d(T_0, P)$ is the wafer segment thickness at room temperature (T_0) and pressure (P), whose values are approximately 412, 405 and 390 μm at the gas pressures of 100, 200, and 400 psi respectively, $d_0 = 420 \mu\text{m}$ which is the original thickness of the wide-bandgap semiconductor substrate 20F.

The strain (ϵ) is given by $\epsilon = \sigma / E$, where σ is the applied stress and E is the elastic modulus. The value of elastic modulus has been reported as 392-694 GPa for 6H-SiC. In this study an average value of 543 GPa was used for E and the stresses were taken to be 14.7, 100, 200, and 400 psi.

FIGS. 25 and 26 illustrate the refractive index of the wide-bandgap semiconductor substrate 20F increases with applied pressure. The interface of the wide-bandgap semiconductor substrate 20F and gas (nitrogen or argon) experiences compressive stresses under high gas pressures and this produces a comparatively denser layer of wide-bandgap semiconductor substrate 20F near the second surface 22F. The refractive index of this compressed layer is higher than the refractive index of the overlying uncompressed layer. FIGS. 25 and 26 shows an increase in the refractive index with pressure.

Three-Layer Program Model for the Effect of Gas Pressure on the Refractive Index of 6H-SiC

As mentioned above, the type of the gas and the pressure of the gas affect the oscillatory pattern of the reflected light. To analyze this effect, a three-layer model is considered (inset in FIG. 1) in which layer 1 is the ambient air on top of the optical sensing device 10F, layer 2 is the optical sensing device 10F itself with refractive index as determined above and layer 3 is a composite layer consisting of a few compressed atomic planes of the SiC crystal and a high pressure sheet (boundary layer) of the gas around the bottom surface of the wafer. The reflectance, R, of such a three-layer structure can be expressed as²⁵

$$R = \frac{r_{12}^2 + r_{23}^2 + 2r_{12}r_{23}\cos\phi}{1 + r_{12}^2r_{23}^2 + 2r_{12}r_{23}\cos\phi} \quad (15)$$

for a given laser beam, where r_{12} , and r_{23} are the Fresnel reflection coefficients of layer 1-layer 2 and layer 2-layer 3 interfaces respectively. Eq. 4 can be solved for r_{23} , which is given by

$$r_{23} = \frac{-((1-R)r_{12}\cos\phi) \pm \sqrt{((1-R)r_{12}\cos\phi)^2 - (1-Rr_{12}^2)(r_{12}^2 - R)}}{(1-Rr_{12}^2)}. \quad (16)$$

, and then the refractive index, n_3 , of the composite layer is obtained from the Fresnel relation expressing the refractive index in terms of the Fresnel reflection coefficient²⁵

$$n_3 = n \frac{1 + r_{23}}{1 - r_{23}}. \quad (17)$$

Eq. 5 yields two values of r_{23} , which in turn provide two values of the refractive index n_3 . In this study, one of the two values was found to be very close to the refractive index of SiC (e.g., 2.39) and the other value was very high (e.g., 17.44). So the actual refractive index n_3 was selected to be the one that was within close proximity of the refractive index of SiC.

To calculate r_{23} using Eq. (6), the reflectance data (FIGS. 2 and 3) were used and r_{12} was determined using Fresnel's relation $r_{12} = (n_2 - 1) / (n_2 + 1)$. The value of ϵ at any point on the complementary Airy pattern was obtained through linear interpolation along each arm of the pattern (e.g., straight line $l_m l_{m+1}$ in FIG. 4) and by noting that the maximum and minimum points in the pattern correspond to even and odd multiples of π respectively. The refractive index of the composite layer (n_3) was obtained using Eq. 6 and its average values are shown in FIGS. 7 and 8. As mentioned before, the composite layer is formed by the SiC-gas interface (inset in FIG. 1) and therefore the optical properties of this region are expected to be different from that of the gas. Also the refractive index of this composite region may be governed by the complex interactions of the atoms of SiC and gas at high temperatures and pressures.

FIGS. 7 and 8 show that the refractive index of the composite layer decreases with temperature. This trend suggests that the gas sheet of this composite layer has a dominant effect on the refractive index (n_3) of the composite layer when the temperature increases. This may occur because the refractive

index of gases generally decreases as the temperature increases. The decrease in the refractive index, however, is much less at atmospheric pressure than at higher pressures (100, 200 and 400 psi). This effect of the pressure is associated with the divergence patterns in FIGS. 2 and 3 where the oscillatory patterns exhibit little or no divergence at atmospheric pressure compared to the patterns at higher pressures. Refractive Index and Analytical Program for Gases at High Pressures and Temperatures

The refractive index of a gas, n_g , is related to its density by the following Gladstone-Dale relation

$$n_g = 1 + R_{GD}\rho, \quad (18)$$

where R_{GD} is the Gladstone Dale constant and ρ is the density of the gas. The values of R_{GD} are 0.238 and 0.158 cm^3/g for nitrogen and argon respectively. Eq. (8) can be rewritten for an ideal gas as follows.

$$n_g = 1 + R_{GD} \frac{PM}{R^*T}, \quad (19)$$

where M is the molecular weight of the gas, R^* is the universal gas constant and T is the absolute temperature of the gas. The theoretical refractive indices of the two gases obtained from Eq. (8) are plotted in FIG. 9, which also contains the refractive indices determined from the experimental data. The refractive index for the gases is obtained by considering that the refractive index of the composite layer depends on the refractive indices of SiC and gas linearly as given by

$$n_3 = ax + b + nx_g, \quad (20)$$

where a and b are two constants which are determined by fitting the data, i.e., the values of n_3 and n (which are based on the experimental data) and the values of n_g (which are based on the theoretical expression (9)), at two different temperatures such as the room temperature and 300° C. These values are listed in Table I for nitrogen and argon respectively for different pressures. The refractive index of the gas was found to be inversely proportional to temperature and directly proportional to the pressure of the gas as predicted by the theory. The refractive indices of nitrogen and argon are shown in FIG. 10 as a function of pressure.

The reflectance of the optical sensing device 10F exhibited unique oscillatory patterns for both nitrogen and argon at high pressures and temperatures. The oscillatory pattern tends to diverge with increase in pressure. This divergence is more prominent for argon than for nitrogen. These patterns are utilized to determine the refractive indices of SiC and the underlying gas in order to measure the pressure of the gas and to identify the type of the gas. At high pressures and temperatures, complex optothermal and optomechanical interactions occur between the gas and the compressed atomic planes of the SiC crystal, leading to the formation of a composite layer whose refractive index is different from that of the original optical sensing device 10F and the underlying gas. The refractive index of this composite layer is obtained using the reflectance data and then the refractive indices of the gases are obtained using an empirical relation involving the refractive indices of the composite layer and the optical sensing device 10F.

The present invention has several advantages over the prior art. The present invention enables in situ processing results in no thermal coefficient of expansion mismatch created when coatings are used. Annealing of the treated area is simultaneous, preventing defect generation. The scan rate may be modeled to increase with laser intensity. The invention uti-

lizes commercially available optics defines geometries. Doping can be selectively located by choice of laser parameters. Wide-bandgap semiconductor substrate impurities may be zone refined or evaporated during processing. Wide-bandgap semiconductor substrate defects are annealed out during processing. The laser-converted phases are stable at high temperatures (950 C and above). The converted phases can be are embedded improving chemical stability. A polished single crystalline silicon carbide substrate or epitaxial surface shows sufficient chemical stability in oxygen up to 1000° C. Laser conversion technology reduces process steps and reduces lattice and surface defect generation during processing. Optical and electrical phases are created by the same process.

The present disclosure includes that contained in the appended claims as well as that of the foregoing description. Although this invention has been described in its preferred form with a certain degree of particularity, it is understood that the present disclosure of the preferred form has been made only by way of example and that numerous changes in the details of construction and the combination and arrangement of parts may be resorted to without departing from the spirit and scope of the invention.

What is claimed is:

1. A method for making an optical device within a wide-bandgap semiconductor substrate, the method comprising, the steps of:

providing a wide-bandgap semiconductor substrate defined between a first and a second outer substrate surface;

applying a doping gas to the wide-bandgap semiconductor substrate; and

directing a laser beam onto a selected portion of the wide-bandgap semiconductor substrate located between the first and second outer substrate surfaces in the presence of the doping gas for changing an optical property of the selected portion to convert the selected portion of the wide-bandgap semiconductor substrate into the optical device.

2. A method for making an electro-optical device within a wide-bandgap semiconductor substrate, the method comprising, the steps of:

providing a wide-bandgap semiconductor substrate defined between a first and a second outer substrate surface;

applying a first doping gas to the wide-bandgap semiconductor substrate;

directing a first laser beam onto a first selected portion of the wide-bandgap semiconductor substrate located between the first and second outer substrate surfaces in the presence of the first doping gas for changing an optical property of the first selected portion to convert the first selected portion of the wide-bandgap semiconductor substrate into the optical device;

applying a second doping gas the wide-bandgap semiconductor substrate; and

directing a second laser beam onto a second selected portion of the wide-bandgap semiconductor substrate located between the first and second outer substrate surfaces in the presence of the second doping gas for changing an electrical property of the second selected portion to convert the second selected portion of the wide-bandgap semiconductor substrate into the electrical device.

3. A method as set forth in claim 2, wherein the step of directing a second laser beam onto the second selected portion includes converting the second selected portion into an electrical conductor.

27

4. A method as set forth in claim 2, wherein the step of providing a wide-bandgap semiconductor substrate includes providing a wide-bandgap semiconductor substrate having a bandgap greater than 2.0 electron volts.

5. A method as set forth in claim 2, wherein the step of providing a wide-bandgap semiconductor substrate includes providing a wide-bandgap semiconductor substrate selected from group IV of the periodic table and having bandgap greater than 2.0 electron volts.

6. A method as set forth in claim 2, wherein the step of directing a laser beam includes directing a laser beam for defining the shape of the selected portion of the wide-bandgap semiconductor substrate.

7. A method as set forth in claim 1, wherein the optical device provides a changing optical reflectivity, a changing transmission, a changing absorption coefficient, a changing refractive index and/or a changing absorption index.

8. A method as set forth in claim 2, wherein the step of directing a second laser beam onto the second selected portion includes converting the second selected portion into an electrical conductor for creating a metal-semiconductor-metal device wherein transmission of electromagnetic irradiation through the semiconductor region changes with change in applied voltage.

9. A method for making an optical device within a wide-bandgap semiconductor substrate, the method comprising, the steps of:

providing a wide-bandgap semiconductor substrate defined between a first and a second outer substrate surface; and

directing a laser beam onto a selected portion of the wide-bandgap semiconductor substrate located between the first and second outer substrate surfaces for changing the stoichiometry of atomic elements within the selected portion of the wide bandgap semiconductor for changing an optical property of the selected portion to convert the selected portion of the wide-bandgap semiconductor substrate into the optical device.

28

10. A method for making an optical device in a silicon carbide wide bandgap semiconductor substrate, the method comprising, the steps of:

providing a silicon carbide wide-bandgap semiconductor substrate defined between a first and a second outer substrate surface; and

directing a laser beam onto the silicon carbide wide-bandgap semiconductor substrate located between the first and second outer substrate surfaces for changing the stoichiometry of atomic elements within the silicon carbide wide bandgap semiconductor substrate to create a carbon rich phase region and a silicon rich phases region having different optical properties.

11. A method for making an electro-optical device within a wide-bandgap semiconductor substrate, the method comprising, the steps of:

providing a wide-bandgap semiconductor substrate defined between a first and a second outer substrate surface;

applying a first doping gas to the wide-bandgap semiconductor substrate;

directing a first laser beam onto a first selected portion of the wide-bandgap semiconductor substrate located between the first and second outer substrate surfaces in the presence of the first doping gas for changing an optical property of the first selected portion of the wide bandgap semiconductor to convert the first selected portion of the wide-bandgap semiconductor substrate into the optical device; and

directing a second laser beam onto a second selected portion of the wide-bandgap semiconductor substrate located between the first and second outer substrate surfaces for changing the stoichiometry of atomic elements within the second selected portion of the wide bandgap semiconductor for changing an electrical property of the second selected portion to convert the second selected portion of the wide-bandgap semiconductor substrate into the electrical device.

* * * * *